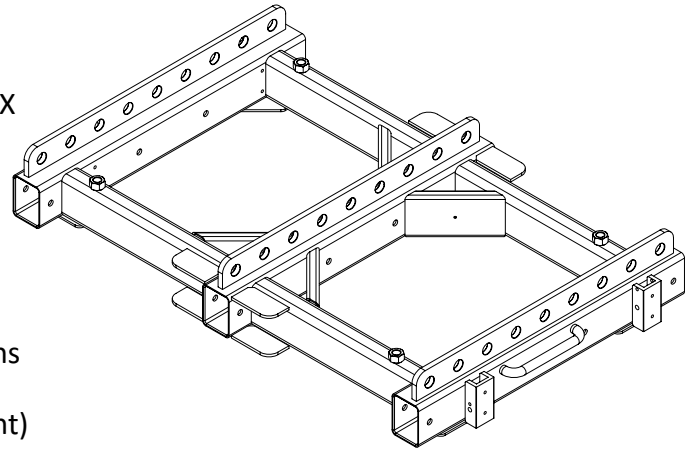


## VTX-V25-AF | Array Frame

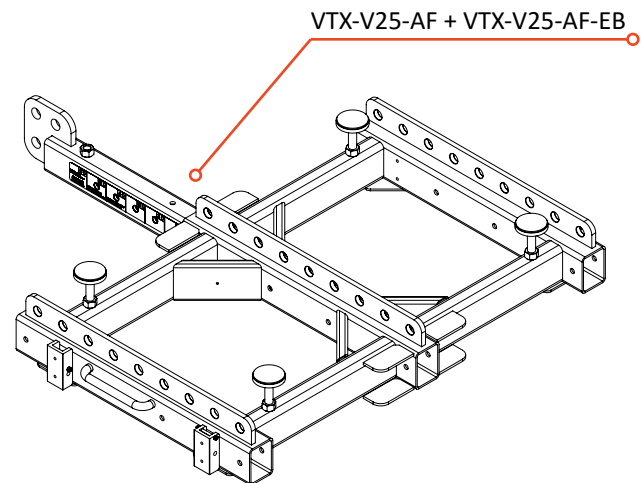
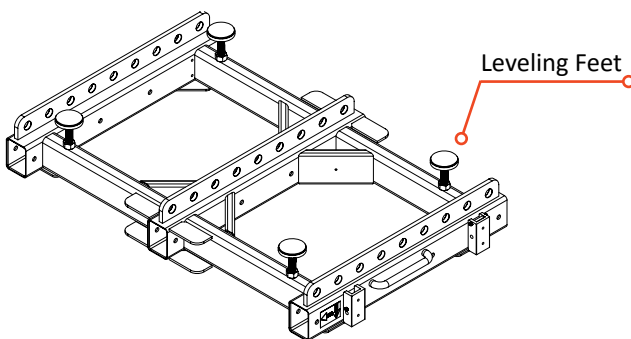
### Features:

- Compatible with VTX V25, VTX V25-CS, VTX V25-II, VTX V25-II-CS and VTX S28
- 9 pick points available for single point suspension
- Optional Extension Bar available
- Flexible front-to-back or side-by-side pick point options
- Supports up to 24 cabinets (array geometry dependent)
- Can be used for ground stack applications
- Pick point shackle size: 5/8" or 3/4"



### Description:

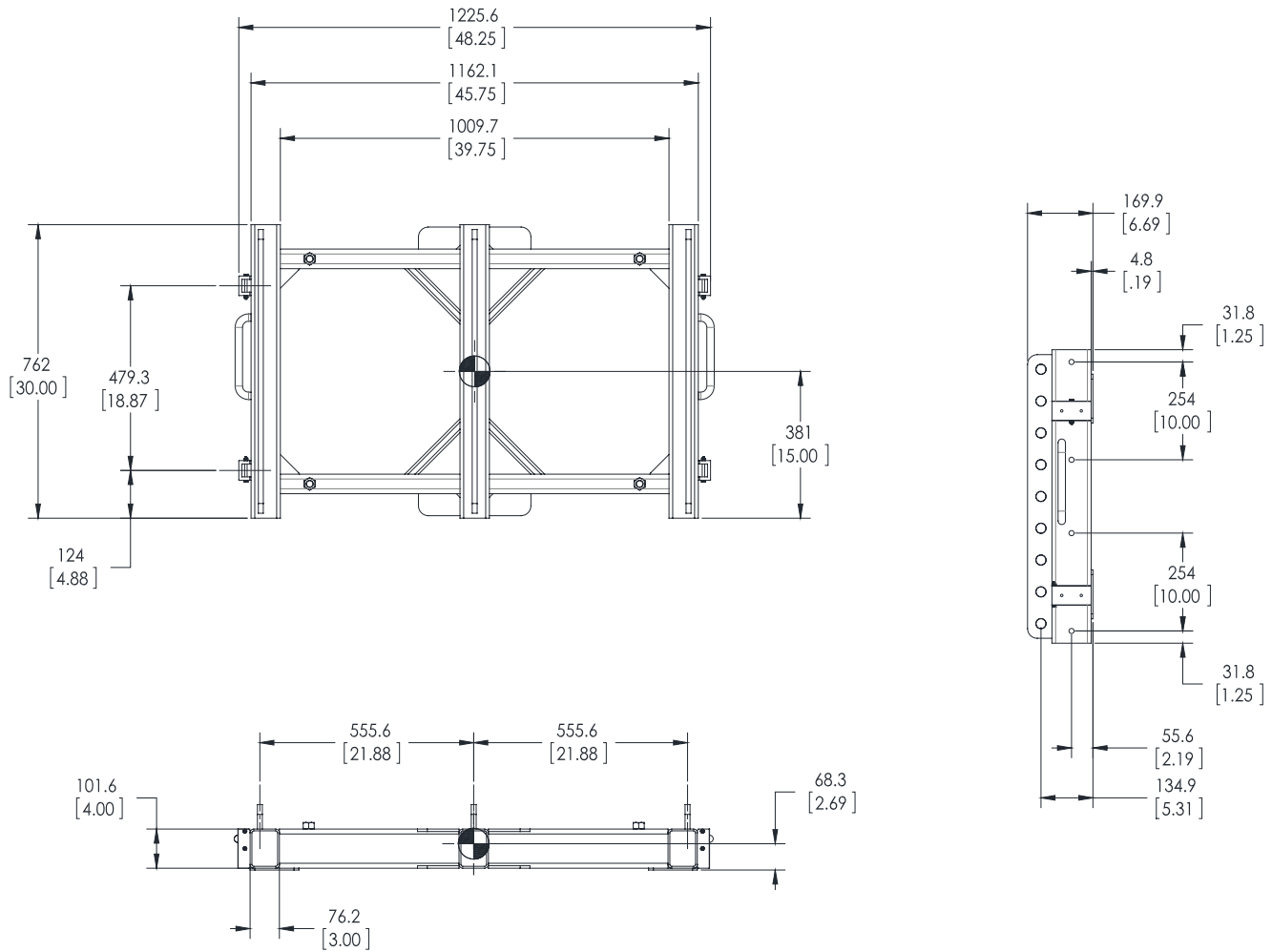
Array Frame used for suspending or ground stacking VTX V25 series enclosures. The VTX-V25-AF is also compatible with the VTX S28 dual 18" subwoofer enclosures. Includes height-adjustable leveling feet for ground stack applications. Optional VTX-V25-AF-EB extension bar available.




### Included:

- 1 x VTX-V25-AF
- 4 x height-adjustable leveling feet for ground stack applications
- 4 x Quick Release Pins (QRP) for securing top enclosure to the frame

## Dimensions:



 = Center of Gravity (CG)

## Specifications:

### VTX-V25-AF

**Construction:** Steel

**Finish:** Black Powder Coat

**Dimensions (H x W x D):** 169.9 mm x 1225.6 mm x 762.0 mm  
(6.69 in x 48.25 in x 30.0 in)

**Net Weight:** 80.3 kg (176.9 lbs)