

DS-D5A86RB/A

Interactive Tablet

The Interactive tablet (hereafter referred to as the “device”) integrates functions of computers, projectors, interactive whiteboards, sound boxes, cameras (optional), HDTVs, advertising machines and so on. The device integrates technologies like 4K display, infrared touch, human-machine interaction, multi-media information processing, and network transmission and provides users with various features such as writing, annotating, multi-screen sharing, and remote video call (optional).

The Interactive tablet is mainly used for remote video conferences, trainings and guidance, medical consulting, and other events in kinds of offices, meeting rooms, multi-media classrooms, exhibition halls and so on.



Key Features

- 4K display, and the resolution of the input signal is up to 3840 × 2160.
- 20px ultra fine writing, and 1 mm writing in diameter recognizable.
- Built-in Wi-Fi realizes wireless screen mirroring without any cable connection.
- Built-in interactive whiteboard system allows annotating and sharing by scanning QR code.
- Display looping out.
- Various audio and video interfaces for device access.
- Built-in network switch chip saves a network switch.
- Built-in Android system supports kinds of applications.
- Compatible with OPS/OPS-C devices, and built-in systems can seamlessly switch between each other.
- Ultrathin aluminum profile frame design.



Specifications

Model		DS-D5A86RB/A
Screen	Diagonal Screen Size	86"
	Backlight	LED Backlight
	Resolution	3840 × 2160 @60 Hz
	Display Scale	16:9
	Pixel Pitch	0.4935(H) × 0.4935(V) mm
	Color	10 bit
	Brightness	350 cd/m ²
	Contrast	1200: 1
	Response Time	8 ms
	Viewing Angle	Horizontal 178°, vertical 178°
Interface	HDMI IN	2, Max. 4K@30Hz
	HDMI Out	1, Max. 4K@60Hz
	VGA In	1, Max. 1080P@60Hz
	Audio In	2
	Audio Out	2
	USB Interface	2 USB on front panel , 2 USB on side panel
	RJ45 (100Mbps ports)	2
General	Power Supply	100 V to 240 VAC, 50/60 Hz
	Power Consumption	< 600 W
	Net Weight	77.760 kg
	Gross Weight (with package)	100.760 kg
	Product Dimensions (Width × Height × Thickness)	1990 × 1186 × 118 mm
	Package Dimensions (Width × Height × Thickness)	2205 × 1413 × 315 mm
	Working Temperature	0°C to 40°C
	Working Humidity	10% to 90%
	Built-in System	CPU
Memory		2 GB

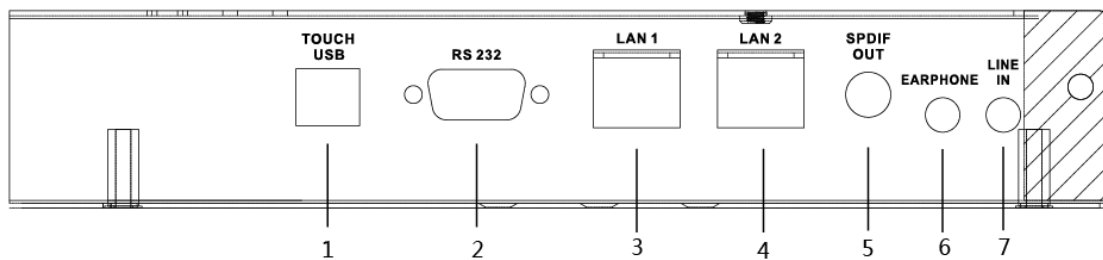
	Storage	32 GB
	NIC	Built-in 100Mbps NIC, supporting routing
	Speaker	Built-in 16 W speaker × 2
	Decoding	H.265/H.264, 4K@60 × 1
	Operation System	Android 5.0

Available Models

DS-D5A86RB/A

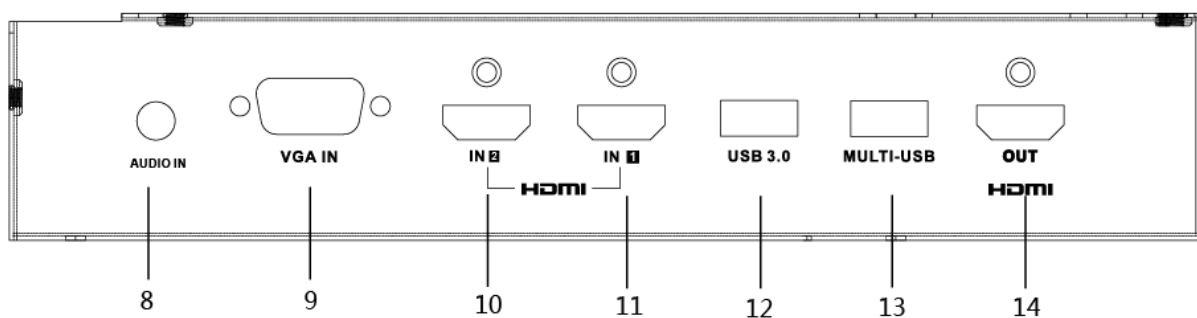
Physical Interface

Bottom interfaces of the rear panel:



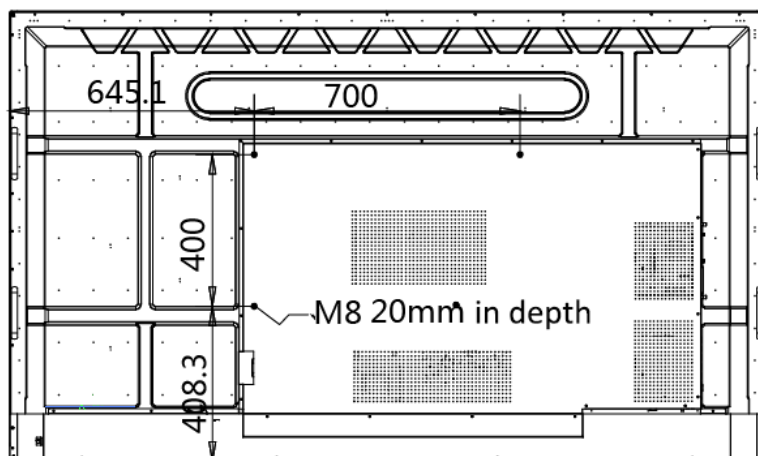
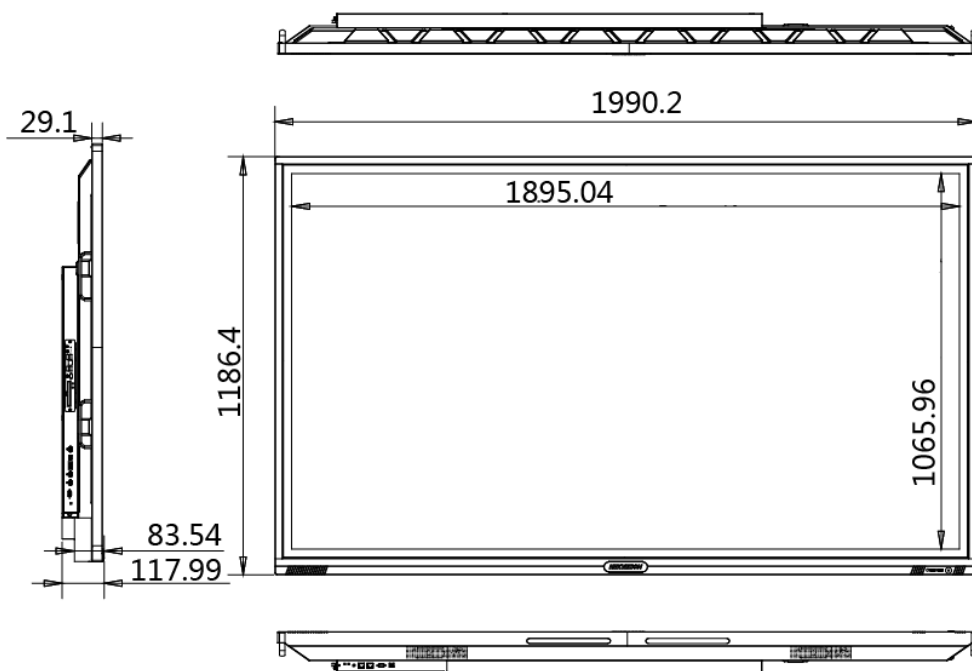
Interface	Description	Interface	Description
1.TOUCH-USB	Peripheral Touch Interface	2.RS-232	RS-232 Serial Port
3.LAN 1	Ethernet Interface 1	4. LAN 2	Ethernet Interface 2
5.SPDIF OUT	Digital Multi-media Speaker Interface	6.EARPHONE	Earphone Interface
7.LINE IN	Audio Input Interface	---	---

Left interfaces of the rear panel:



Interface	Description	Interface	Description
8.AUDIO IN	Audio Input Interface	9.VGA IN	VGA Input Interface
10.HDMI IN2	HDMI2 Input Interface	11.HDMI IN1	HDMI1 Input Interface
12.USB 3.0	USB 3.0 Interface	13.MULTI-USB	Multi-function USB Interface
14.HDMI OUT	HDMI Output Interface	---	---

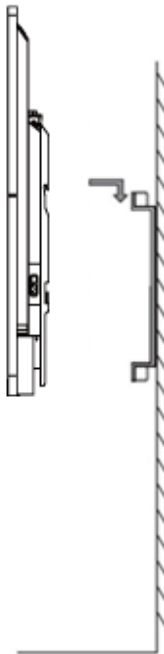
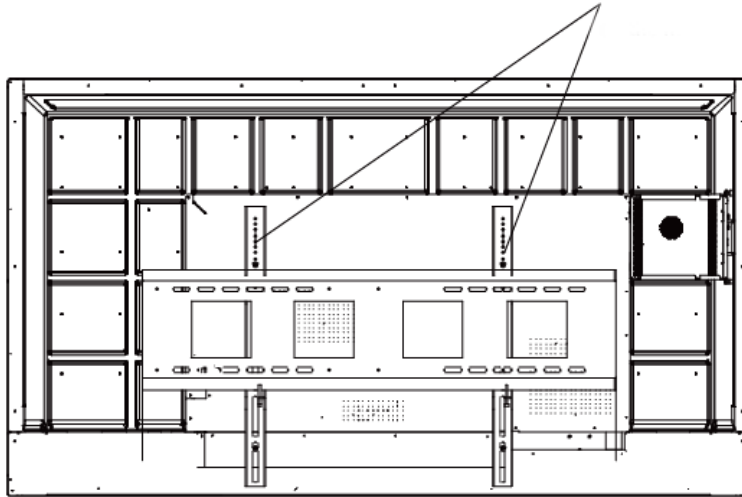
Dimensions (unit: mm)



Mounting Method

Wall mounting

The rear should be installed on the hook holes



i NOTE

The bracket for wall mount can be moved horizontally. Please leave a space no less than 6 cm at each side, or a space no less than 12 cm at one side for maintenance service.