

WARNING!

If you do not understand these directions, or if you have any doubts about the safety of the installation, please call a qualified technician. Check carefully to make sure there are no missing or defective parts. Improper installation may cause damage or serious injury. Do not use this product for any purpose that is not explicitly specified in this manual. Do not exceed weight capacity. We cannot be liable for damage or injury caused by improper mounting, incorrect assembly or inappropriate use.

TIPOVER WARNING

SERIOUS OR FATAL CRUSHING INJURIES CAN OCCUR FROM TIPOVER. TO HELP PREVENT TIPOVER:

- NEVER ALLOW CHILDREN TO CLIMB, STAND, HANG, OR PLAY ON ANY PART OF MONITOR OR STAND.
- USE TIPOVER RESTRAINT OR ANCHOR STAND TO WALL

USE OF TIPOVER RESTRAINTS MAY ONLY REDUCE, BUT NOT ELIMINATE RISK OF TIPOVER.

WARNING: CHOKING HAZARD

SMALL PARTS - NOT FOR CHILDREN UNDER 3 YEARS. ADULT SUPERVISION IS REQUIRED.

PACKAGE CONTENTS



A (x1)
Pole



B (x1)
Base



C1 (x4)
VESA Plate
(Side)



C2 (x2)
VESA Plate
(Center)



D (x4)
Curved Arm



E (x2)
Arm Connect
Bracket



F (x2)
Pole Mount
Bracket



G (x8)
M6x25



H (x8)
M6 Washer



I (x4)
Arm Cap



J (x3)
M6x29



K (x1)
Decorative Cover



L (x1)
Allen Wrench
Set



M (x48)
M4 Washer



N (x24)
M4x12 Thumb Bolt



O (x24)
M8x10



P (x24)
M4 Spacer



Q (x4)
M8x10



R (x4)
Wire Clip



S (x4)
M4x16 with
Washer

NOTE: SOME HARDWARE INCLUDED MAY NOT BE USED

TOOLS NEEDED



DO NOT EXCEED WEIGHT CAPACITY.

Failure to do so may result in serious injury.

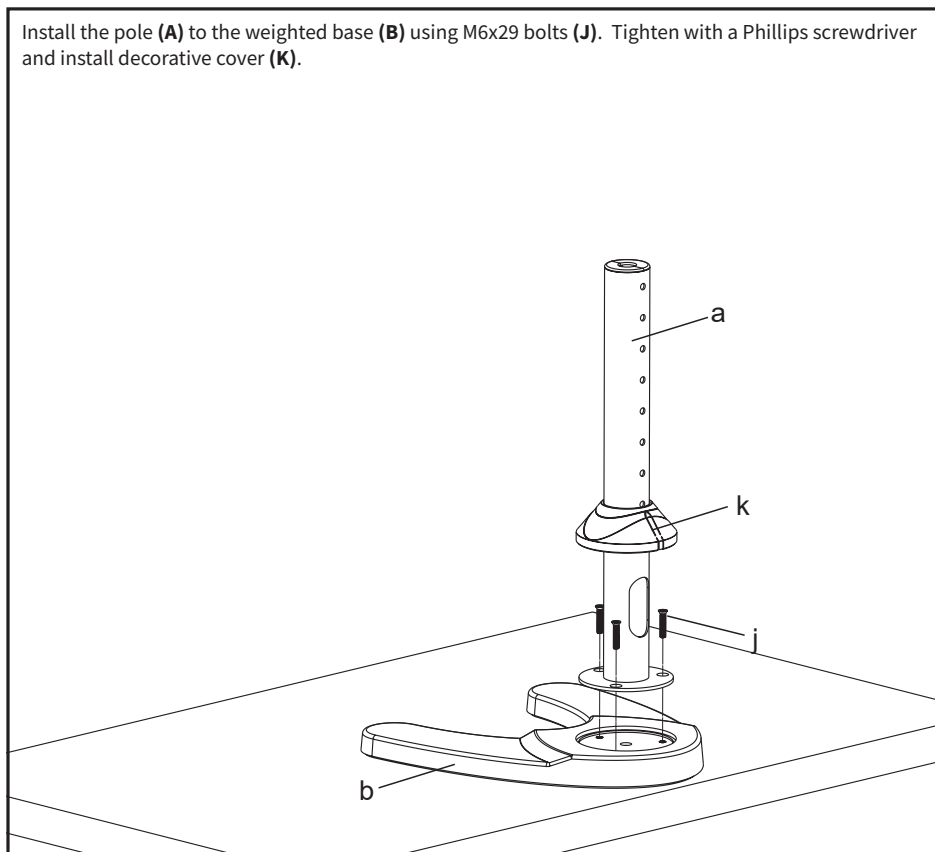
22 lbs
(10 kg)

PER ARM

ASSEMBLY STEPS

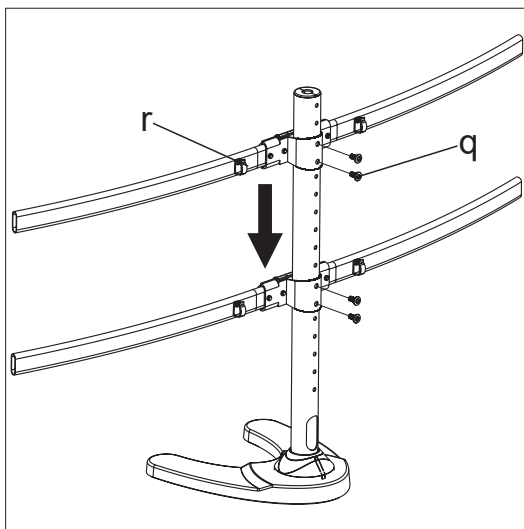
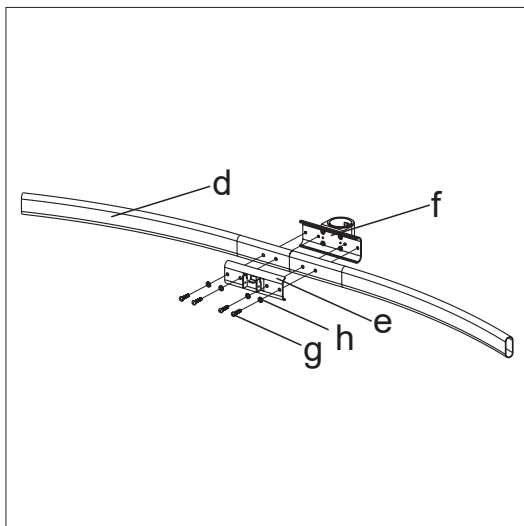
STEP 1

Install the pole (A) to the weighted base (B) using M6x29 bolts (J). Tighten with a Phillips screwdriver and install decorative cover (K).



STEP 2

Assemble the curved arms (**D**) and arm connect brackets (**E**) to pole mount brackets (**F**) using M6x25 bolts (**G**) and M6 washers (**H**). Tighten with the medium Allen wrench (**L**). Carefully slide assembled monitor arms down onto the pole, making sure center monitor hooks on arm connect brackets are facing up, and secure with M8x10 bolts (**Q**) using the medium Allen wrench (**L**). Attach the wire clips (**R**) to the monitor arms.

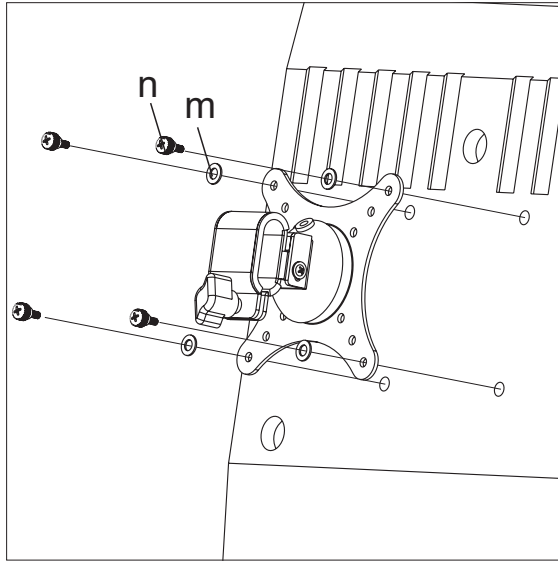


STEP 3

OPTION A: Flat Back Monitor

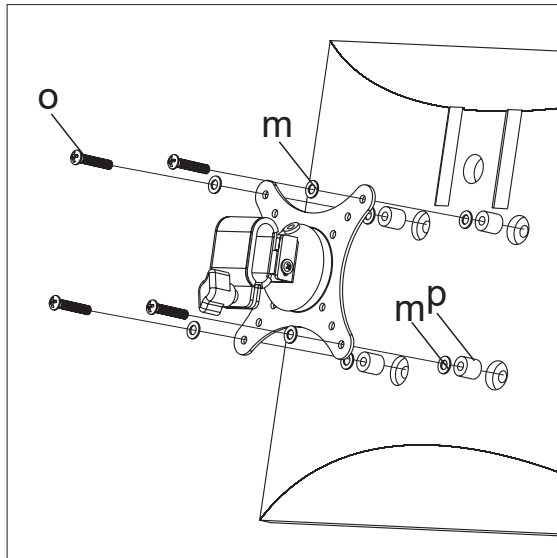
Attach the VESA brackets (**C1**, **C2**) to the monitors using M4x12 thumb bolts (**N**) with M4 washers (**M**).

NOTE: Hand tighten screws to avoid stripping the plastic screw heads.



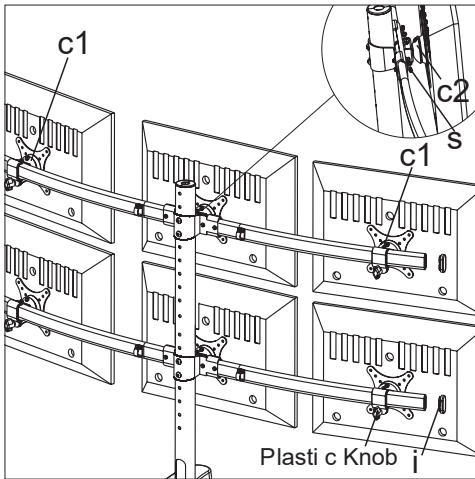
OPTION B: Curved Back Monitor

Attach the VESA brackets (**C1**, **C2**) to the monitors using M4 spacers (**P**) and M4x30 bolts (**O**) with M4 washers (**M**). Tighten with a Phillips screwdriver.

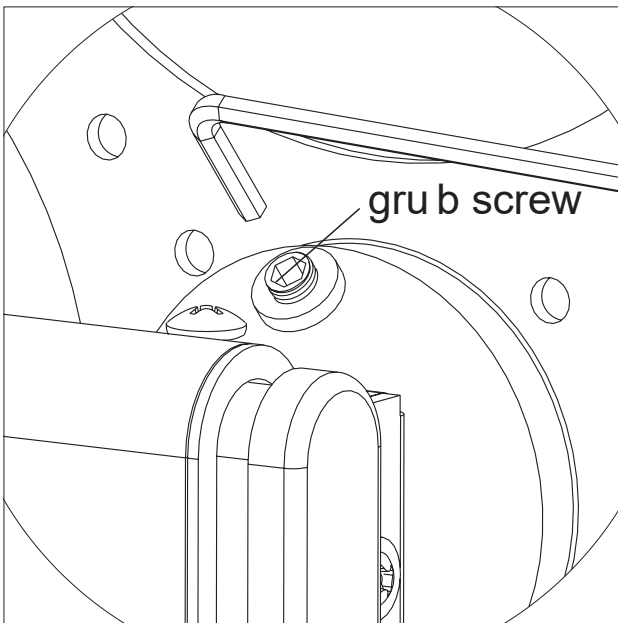


STEP 4

Hang the center monitors onto the hooks of arm connect brackets. Secure with the M4x16 bolts with washers (**S**) and tighten with a Phillips screwdriver. Slide the side monitors onto the curved arms and tighten knobs. Press arm caps (**I**) onto ends of curved arms.

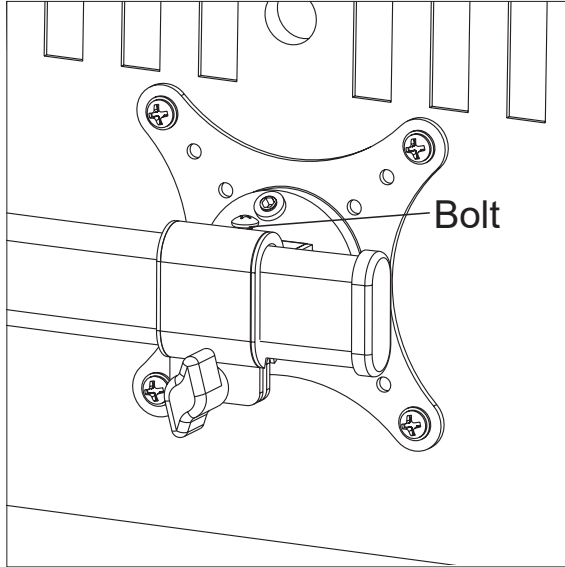


Tighten the grub screw on the back of each monitor joint using the small Allen wrench (**L**) to fix tilt angle of monitors.



STEP 5

To adjust monitor height, slightly loosen the M4x16 bolts on the sides of each bracket and turn the screw on top using a Phillips screwdriver. Tighten the M4x16 bolts after adjustment.



Manage cables using the wire clips. Remove the split cap from the pole and feed cables through, pulling ends out from the opening in back. Replace the split cap when finished.

