

Specifications

SMART electric height-adjustable mobile stand

Model FSE-400

Overview

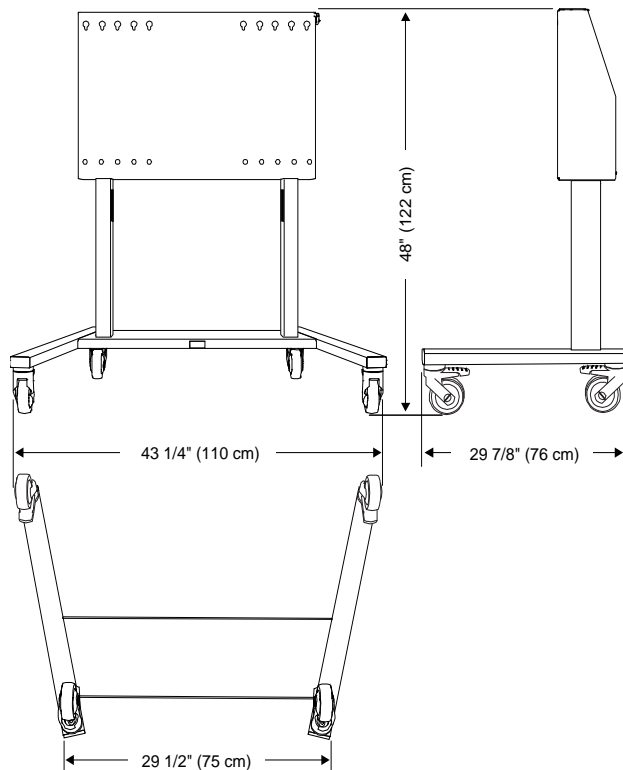
Designed for the current line of SMART Board® interactive displays, the SMART electric height-adjustable mobile stand features 26" (66 cm) of powered height adjustment with a safety bounce-back feature that reverses direction briefly if an obstruction is detected. With its wide footprint and sturdy steel frame, the stand supports displays up to 86" (218 cm) diagonal and 245 lb. (111 kg) total weight including accessories. You can easily roll the stand across smooth floors and secure with the industrial grade 4" locking casters. The stand has a TUV-certified drive system and complies with Americans with Disabilities Act (ADA) standards. The stand also includes VESA mounting points for easy installation of the display and peripherals, a locking storage cabinet, and a power bar.

See smarttech.com for more information on this product.



Dimensions and weights¹

Dimensions



Weight

106 lb. (48 kg)

Shipping dimensions

45 2/8" × 32 5/8" × 7 3/8"
(115 cm × 83 cm × 19 cm)

Shipping weight

115 lb. (52.5 kg)

¹All dimensions ± 1/8" (0.3 cm). All weights ± 2 lb. (0.9 kg).

Hardware

Supported SMART Board displays SMART Board 7000 series, 6000 series, MX and MX100 series displays

Maximum display size 86" (218 cm) diagonal and 80" (203 cm) wide

Minimum display size 65" (163 cm) diagonal

Maximum lift capacity 245 lb. (111 kg)

Minimum weight 92 lb. (42 kg)

Height adjustment

Range 26" (66 cm)

Maximum extended height 74" (188 cm)

Minimum extended height 48" (122 cm)

Components

Wheels 4" industrial-grade locking casters

Mounting VESA® mounting pattern: 300 mm × 400 mm - M8, 500 mm × 400 mm - M6, 600 mm × 400 mm - M8, 700 mm × 400 mm - M8, 400 mm × 200 mm - M8, 800 mm × 200 mm - M8 with adapter (not included)

Storage and operating requirements

Power consumption

Supply voltage 100V–240V AC, 50 –60 Hz

Nominal voltage 110V AC, 220V AC

Power consumption

Raising a display (maximum load) 300 W

Standby mode 0.1 W

Duty cycle 10% (2 minutes of operation fully loaded, 18 minutes of rest)

Operating temperature 50–104°F (10–40°C)

Storage temperature 14–158°F (-10–70°C)

Humidity 85% non-condensing