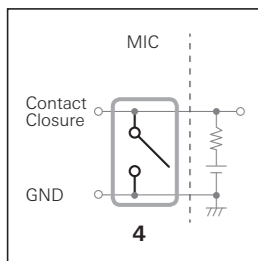
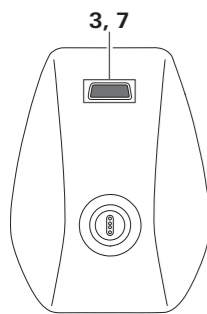
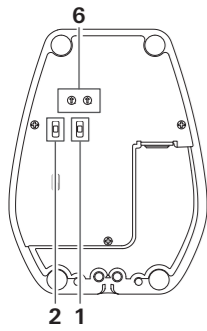
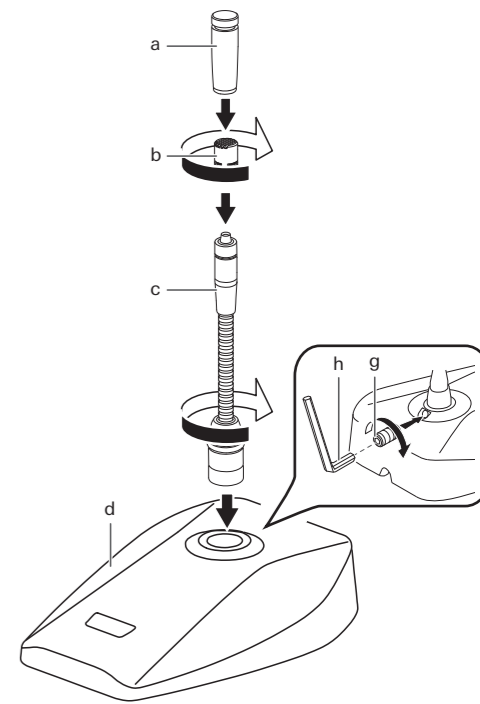




1. Control	2. Switch Function	3. Action	4. Contact closure status	5. Audio status	6. LED color	7. LED status
	SW. FUNCTION TOUCH ON/OFF MOM. ON MOM. OFF				LED COLOR MIC OFF MIC ON 	
					LED COLOR MIC OFF MIC ON 	
	SW. FUNCTION TOUCH ON/OFF MOM. ON MOM. OFF				LED COLOR MIC OFF MIC ON 	
					LED COLOR MIC OFF MIC ON 	
	SW. FUNCTION TOUCH ON/OFF MOM. ON MOM. OFF				LED COLOR MIC OFF MIC ON 	
					LED COLOR MIC OFF MIC ON 	
	SW. FUNCTION TOUCH ON/OFF MOM. ON MOM. OFF				LED COLOR MIC OFF MIC ON 	
					LED COLOR MIC OFF MIC ON 	
	SW. FUNCTION TOUCH ON/OFF MOM. ON MOM. OFF				LED COLOR MIC OFF MIC ON 	
					LED COLOR MIC OFF MIC ON 	
	SW. FUNCTION TOUCH ON/OFF MOM. ON MOM. OFF				LED COLOR MIC OFF MIC ON 	
					LED COLOR MIC OFF MIC ON 	
	SW. FUNCTION TOUCH ON/OFF MOM. ON MOM. OFF				LED COLOR MIC OFF MIC ON 	
					LED COLOR MIC OFF MIC ON 	
	SW. FUNCTION TOUCH ON/OFF MOM. ON MOM. OFF					LED COLOR MIC OFF MIC ON 



1



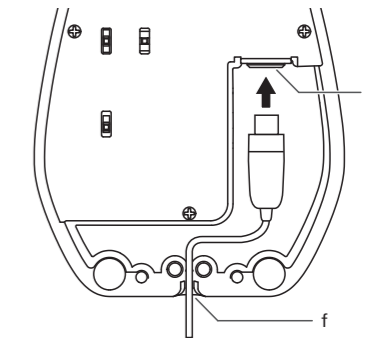
1. Insert the gooseneck assembly (c) while rotating it into the desk stand power module (d), and tighten it firmly. Check that the gooseneck assembly does not rotate, and use the included hex wrench (h) to tighten the set screw (g). Connect the capsule (b) to the gooseneck assembly, and attach the windscreen (a). If the parts are not sufficiently tightened together, problems may occur such as the LED colors of the gooseneck assembly and power module not matching or sound is not output.
2. Connect the included cable to the connector (e) on the reverse side of the desk stand power module, and pass the cable through the wire slot (f).

1. Insérez le flexible col de cygne (c) tout en le faisant tourner dans l'embase de table d'alimentation (d), puis serrez-le fermement. Vérifiez que le flexible col de cygne ne tourne plus et utilisez la clé Allen fournie (h) pour serrer la vis de fixation (g). Connectez la capsule (b) au flexible col de cygne et fixez la bonnette anti-vent (a). Si les pièces ne sont pas suffisamment serrées, des problèmes peuvent se produire, par exemple une différence de couleur des LED ou l'absence de son.
2. Connectez le câble fourni au connecteur (e) au dos de l'embase de table d'alimentation, et faites cheminer le câble par le passage de câble (f) prévu à cet effet.

1. Inserte el conjunto del cuello flexible (c) roscándolo al módulo de alimentación de sobremesa (d) y apriételo firmemente. Compruebe que el conjunto no gira y utilice la llave hexagonal incluida (h) para apretar el tornillo de fijación (g). Conecte la cápsula (b) al cuello flexible y fije la protección contra el viento (a). Si las distintas piezas no están fijadas con suficiente firmeza, podrían surgir problemas; p. ej., los colores de los LED del cuello flexible y el módulo de alimentación no coincidirán o no se emitirá sonido.
2. Conecte el cable incluido al conector (e) en la parte contraria del módulo de alimentación de sobremesa y pase el cable por la ranura (f).

1. Insira o conjunto do pescoço de ganso (c) girando-o no módulo de alimentação com suporte de mesa (d), e aperte firmemente. Verifique se o conjunto do pescoço de ganso não gira e use a chave Allen incluída (h) para apertar o parafuso de fixação (g). Conecte a cápsula (b) ao conjunto do pescoço de ganso e fixe a tela (a). Se as partes não estiverem suficientemente apertadas, podem ocorrer problemas como as cores do LED do conjunto do pescoço de ganso e do módulo de alimentação não corresponderem ou o som pode não sair.
2. Conecte o cabo incluído ao conector (e) no lado inverso do módulo de alimentação com suporte de mesa e passe o cabo pela abertura do cabo (f).

2

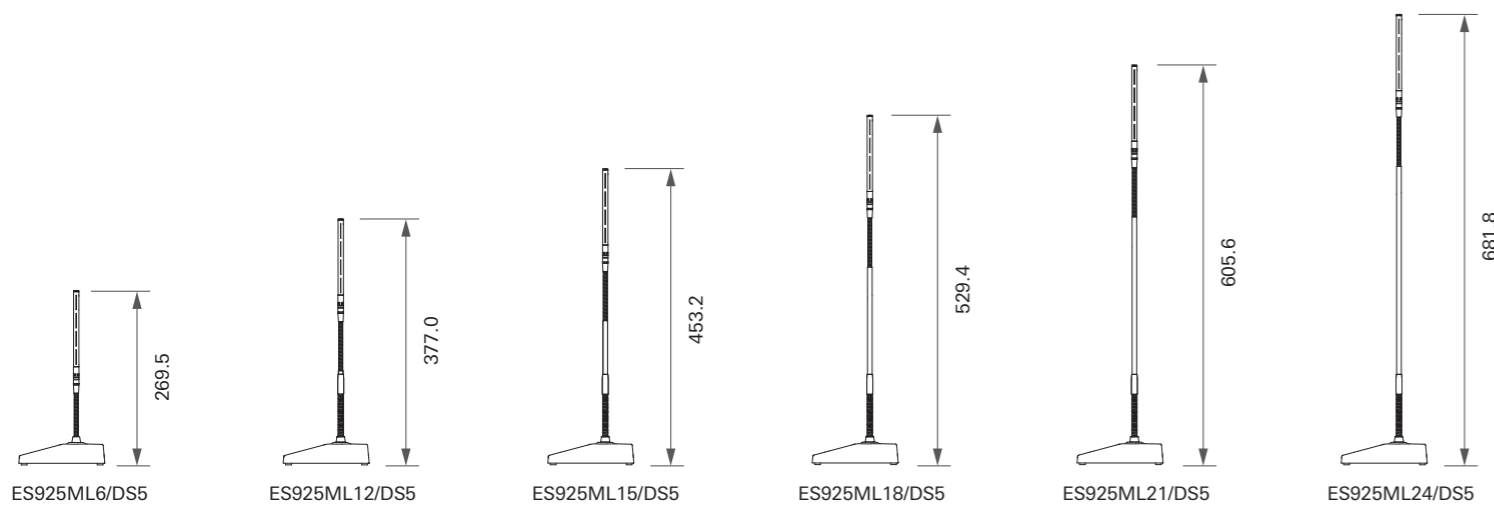
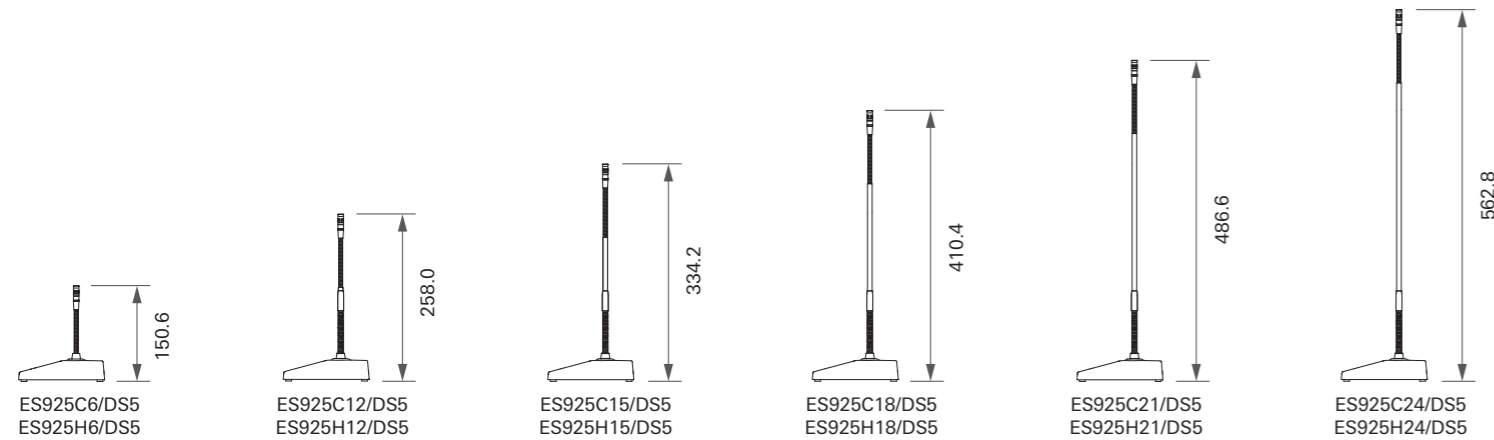
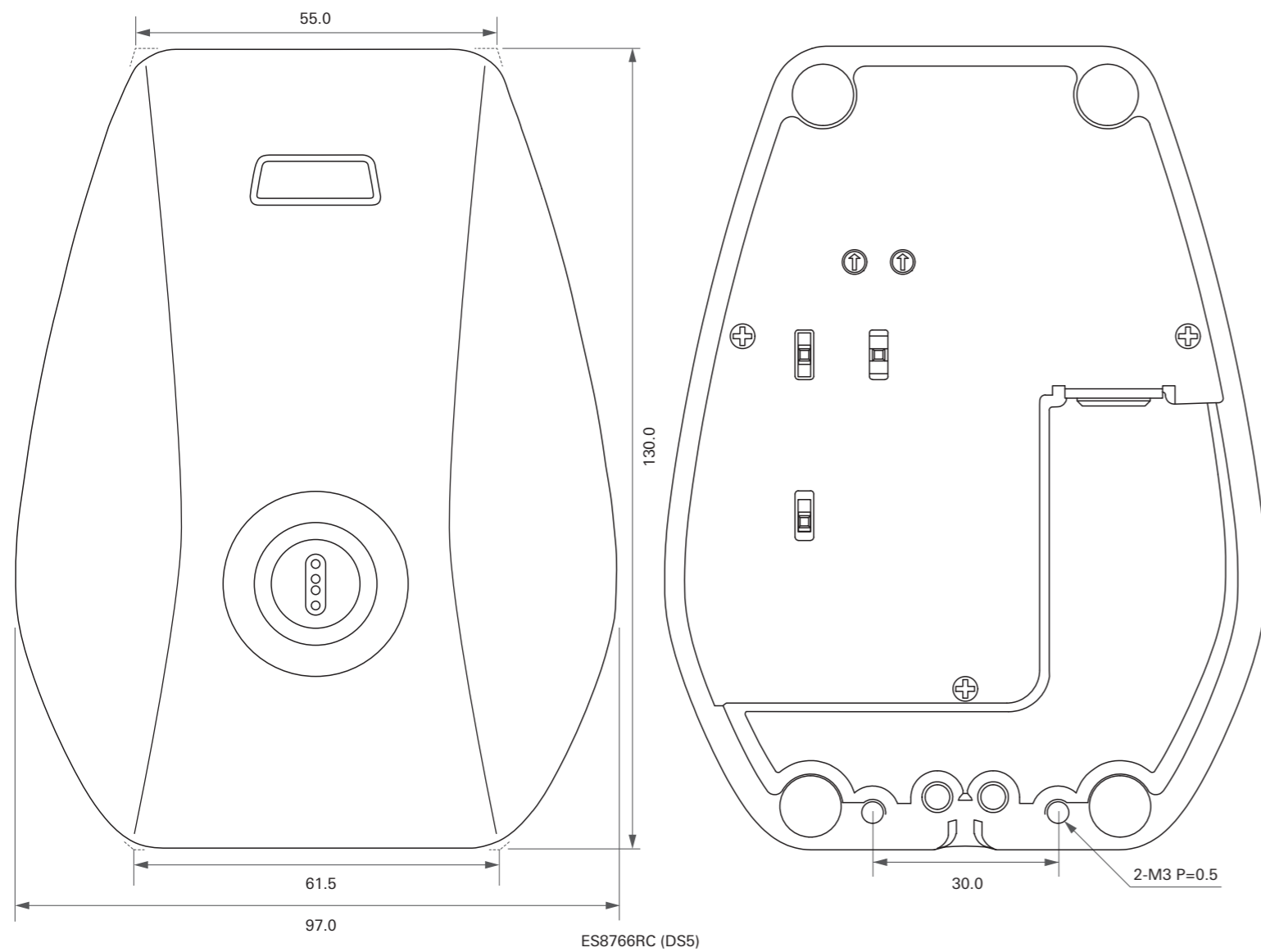


Wiring / Câblage / Cableado / Fiação



LED color / Couleur de la LED / Color de LED / Cor do LED

▼	1	2	3	4	5	6	7
OFF	RED	GREEN	YELLOW	BLUE	MAGENTA	CYAN	WHITE



(Unit / Unité / Unidades / Unidade: mm)

Warranty (Please be sure to read the notes below.) For USA Only

End-User LIMITED WARRANTY information for the USA is available at [www.audio-technica.com/usawarranties](http://www.audio-technica.com/usawarranties). You may also contact Audio-Technica U.S., Inc. to request a written copy of the Limited Warranty at 1-330-686-2600 or via mail at 1221 Commerce Drive, Stow, OH 44224.