

AMHEAVYG

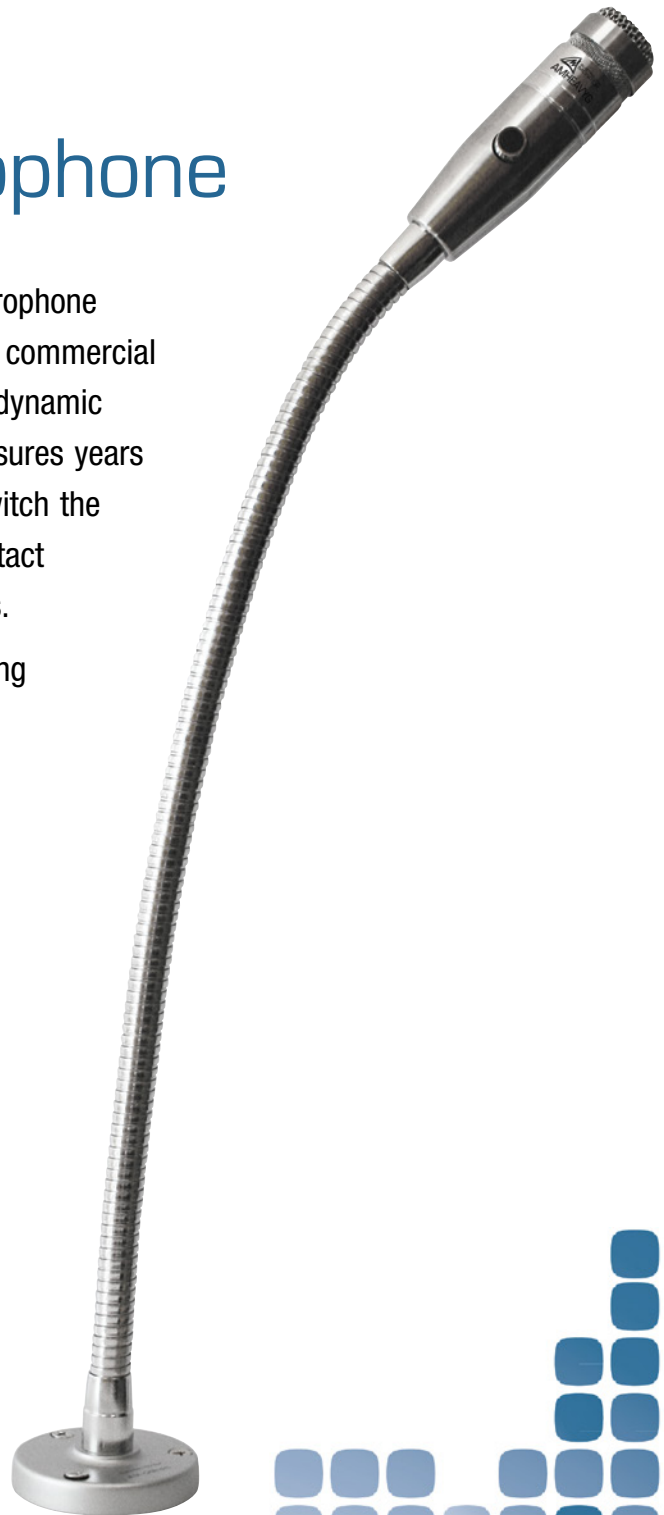
Gooseneck Microphone

The AMHEAVYG is a heavy-duty gooseneck microphone design specifically for continuous high usage in commercial environments. The heavy-duty goose neck and dynamic capsule provide dependable reliability which ensures years of reliable operation. Featuring a momentary switch the AMHEAVYG is also capable of providing dry contact closure to trigger pre-announce tone generators.

The AMHEAVYG is the ideal solution for PA paging scenarios such supermarkets, service stations, fast food outlets and many other demanding commercial environments.

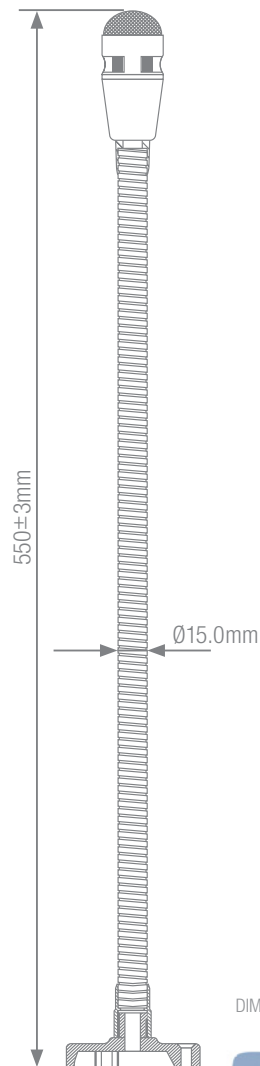
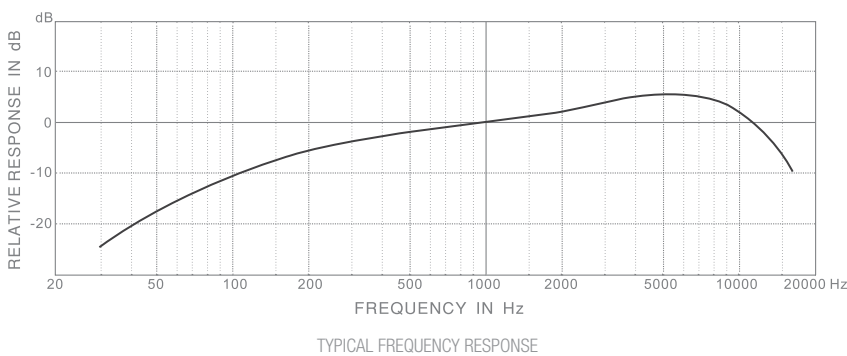
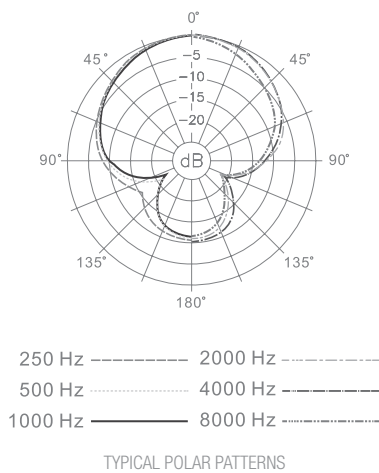
Features:

- Tailored for PA paging announcements
- Momentary including dry contact switch
- Heavy Duty Gooseneck
- Heavy duty dynamic capsule



Specifications

Transducer Type	Dynamic		
Polar Pattern	Supercardioid		
Frequency Response	100Hz – 15Khz		
Sensitivity	1.3 mV/Pa -58 dBV		
Electrical Impedance	500 Ω		
Min. Load Impedance	2000 Ω		
Max. SPL	135dB @ 1% THD		
Finish	Silver		
Cable	Unterminated 4.0 mm shielded 1.5m 5 core		
Audio Connection	Red = Audio Positive +	Black = Audio Negative -	Drain = Audio Ground
Switch Connection (Normally Open N/O)	Green = Switch	White = Switch	
Dimensions	586mm x 71mm		
Net Weight	750g		



ENGINEERED BY AUSTRALIAN MONITOR

Address: 1 Clyde Street, Silverwater NSW 2128 Australia.

Website: www.australianmonitor.com.au

International enquiries email: customersupport@australianmonitor.com.au

ABN 35 007 573 417

Rev 1.0