

# TG L58

Condenser Microphone



TG L58



TG L58 tan

## FEATURES

- High-quality condenser microphone (omnidirectional)
- Extended frequency response
- High intelligibility of speech
- High sensitivity
- Small and unobtrusive design

## APPLICATIONS

The TG L58 is a small omnidirectional clip-on microphone for vocals and speech. It is used for theatre applications, presentations or for radio and television. Due to its small dimensions it can be discretely attached to clothing or in the hair. For an almost invisible application the TG L58 is also available in beige.

The treble boost and the wide frequency response ensure an excellent intelligibility of speech and precise reproduction.

The TG L58 is available as **TG version** and can therefore be used with the wireless microphone systems of the TG series.

For wired applications with phantom power sources the TG L58 must be used with the optional MA-PVA power adapter.

The microphone is available in black and beige.

## VERSIONS

TG L58	Condenser lavalier microphone, omnidirectional, black, with 4-pin female Mini-XLR connector . . . . .	Order # 706.221
TG L58 tan	same as above, but beige . . . . .	Order # 705.926

## SUPPLIED ACCESSORIES

Mounting clip  
Wind shield

## TECHNICAL SPECIFICATIONS

Transducer type . . . . .	Condenser (electret)
Operating principle . . . . .	Pressure
Polar pattern . . . . .	Omnidirectional
Frequency response . . . . .	20 - 20,000 Hz*
Open circuit voltage . . . . .	40 mV/Pa (-28 dBV)* ±2.5 dB
Max. SPL at 1 kHz . . . . .	126 dB SPL*
S/N ratio . . . . .	51 dB [CCIR; Q-Peak]*
Equivalent SPL . . . . .	32 dB [A, RMS]*
Type of power supply . . . . .	DC
Max. power consumption . . . . .	0.5 mA
Supply voltage . . . . .	2 V to 10 V
Connector . . . . .	Mini-XLR, 4-pin, female
Dimensions:	
Capsule diameter . . . . .	7.0 mm
Length . . . . .	15.8 mm
Cable length . . . . .	1.2 m
Weight (without clip) . . . . .	13 g

\*measured with MA-PVA

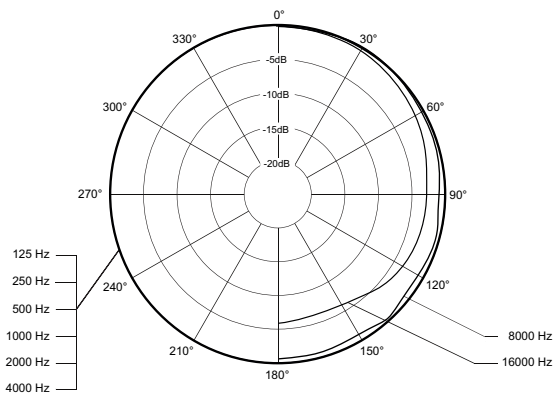
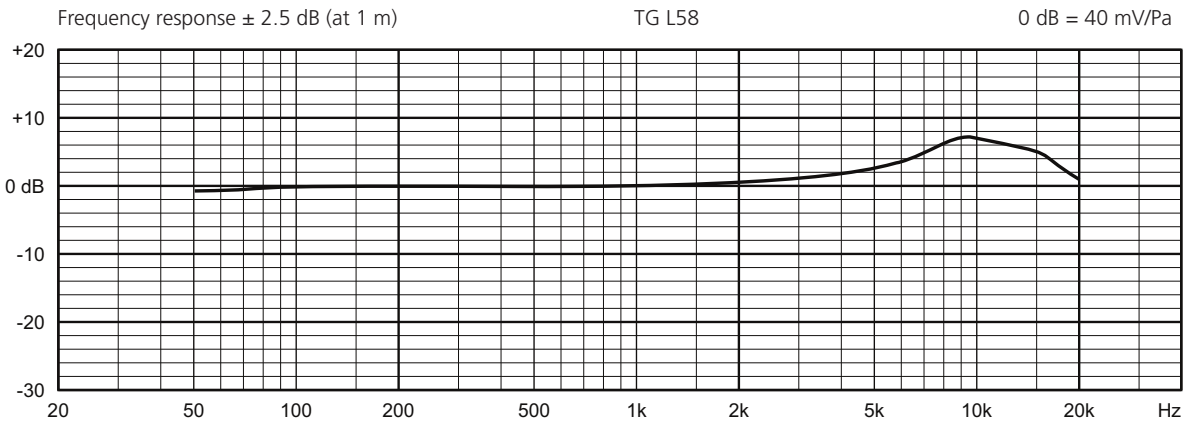
## OPTIONAL ACCESSORIES

MA-PVA	Phantom power adapter to connect to phantom-powered microphone inputs . . .	Order # 711.098
MKV 58 BLK	Microphone clip, black . . . . .	Order # 708.895
MKV 58 tan	Microphone clip, beige . . . . .	Order # 708.909
WA-TGOP	Adapter cable to connect microphones with TG pin assignment to Opus beltpack transmitters. 4-pin Mini-XLR (M) – 4-pin Mini-XLR (F) . . . . .	Order # 711.136
WS L58	Wind shield, black . . . . .	Order # 708.771
WS L58 tan	Wind shield, beige . . . . .	Order # 708.798

# TG L58

## FREQUENCY RESPONSE & POLAR PATTERN

This polar pattern and frequency response curve (measuring tolerance  $\pm 2.5$  dB) correspond to a typical production sample for this microphone.



## WIRING DIAGRAM

