

# 2MP HD IR Fixed Dome Network Camera

IPC322LB-DSF28(40)K-G



## Key Features



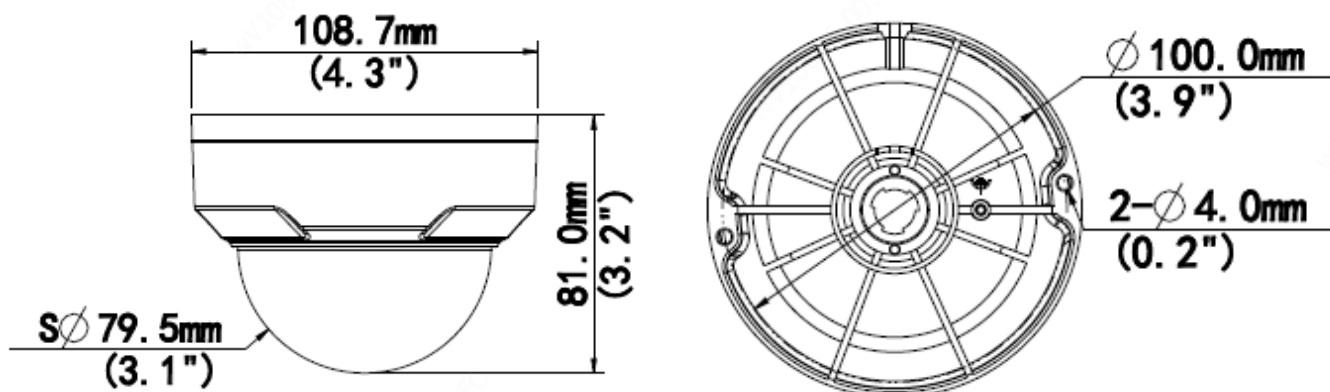
- High quality image with 2MP, 1/2.7" CMOS sensor
- 2MP (1920\*1080)@30/25fps; 720P (1280\*720)@30/25fps
- Ultra 265, H.265, H.264, MJPEG
- 120dB true WDR technology enables clear image in strong light scene
- Support 9:16 Corridor Mode
- Smart IR, up to 30m (98ft) IR distance
- Supports 128 G Micro SD card
- IK10 vandal resistant
- IP67 protection
- Support PoE power supply
- 3-Axis

## Specifications

	IPC322LB-DSF28K-G	IPC322LB-DSF40K-G			
<b>Camera</b>					
Sensor	1/2.7", 2.0 megapixel, progressive scan, CMOS				
Lens	2.8mm@F2.0		4.0mm@F2.0		
DORI Distance	Lens (mm)	Detect (m)	Observe (m)	Recognize (m)	Identify (m)
	2.8	42	16.8	8.4	4.2
	4.0	60	24	12	6
Angle of View (H)	112.9°		91.2°		
Angle of View (V)	59.1°		47.9°		
Angle of View (O)	121.2°		95.9°		
Adjustment angle	Pan: 3° ~ 360°		Tilt: 0° ~ 68°		Rotate: 3° ~ 360°
Shutter	Auto/Manual, 1 ~ 1/100000s				
Minimum Illumination	Colour: 0.01Lux ( F2.0, AGC ON) 0Lux with IR				
Day/Night	IR-cut filter with auto switch (ICR)				
Digital noise reduction	2D/3D DNR				
S/N	>52dB				
IR Range	Up to 30m (98ft) IR range				
Wavelength	850nm				
IR On/Off Control	Auto/Manual				
Defog	Digital Defog				
WDR	120dB				
<b>Video</b>					
Video Compression	Ultra 265, H.265, H.264, MJPEG				
H.264 code profile	Baseline profile, Main profile, High profile				
Frame Rate	Main Stream: 1080P (1920*1080), Max 30fps; 720P (1280*720), Max 30fps Sub Stream: 720P (1280*720), Max 30fps; D1 (720*576), Max 30fps; 640*360, Max 30fps; 2CIF(704*288), Max 30fps; CIF(352*288), Max 30fps;				
Video Bit Rate	128 Kbps~16 Mbps				
OSD	Up to 4 OSDs				
Privacy Mask	Up to 4 areas				
ROI	Up to 8 areas				
Motion Detection	Up to 4 areas				
<b>Image</b>					
White Balance	Auto/Outdoor/Fine Tune/Sodium Lamp/Locked/Auto2				
Digital noise reduction	2D/3D DNR				
Smart IR	Supported				
Flip	Normal/Vertical/Horizontal/180°				
Dewarping	N/A				
HLC	Supported				
BLC	Supported				

Network	
Protocols	IPv4, IGMP, ICMP, ARP, TCP, UDP, DHCP, RTP, RTSP, RTCP, DNS, DDNS, NTP, FTP, UPnP, HTTP, HTTPS, SMTP, QoS, SSL, SNMP
Compatible Integration	ONVIF (Profile S, Profile G, Profile T), API
Client	EZStation EZView EZLive
Storage	
Edge Storage	Micro SD, up to 128GB
Network Storage	ANR, NAS(NFS)
Interface	
Network	10/100M Base-TX Ethernet
Certifications	
Certifications	CE: EN 60950-1 UL: UL60950-1 FCC: FCC Part 15
General	
Power	DC 12V±25%, PoE (IEEE 802.3af)
	Power consumption: Max 5.0W
Dimensions (Ø x H)	Φ108.7 x 81mm (Ø4.3" x 3.2")
Weight	0.36kg (0.79lb)
Material	Metal + plastic
Working Environment	-30°C ~ 60°C (-22°F ~ 140°F), Humidity: ≤95% RH (non-condensing)
Storage Environment	-30°C ~ 60°C (-22°F ~ 140°F), Humidity: ≤95% RH (non-condensing)
Surge Protection	2KV
Ingress Protection	IP67
Vandal Resistant	IK10
Reset Button	N/A

## Dimensions

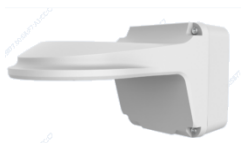


## Accessories

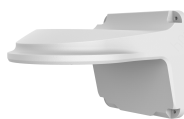
TR-JB03-G-IN



TR-JB07/WM03-G-IN



TR-WM03-D-IN



TR-UM06-E-IN



TR-UP06-IN



TR-A01-IN



TR-SE24-IN

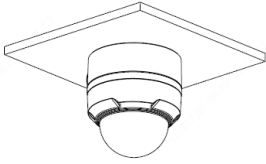
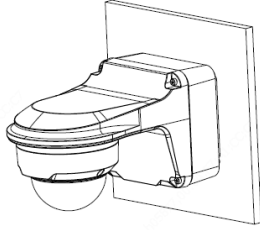
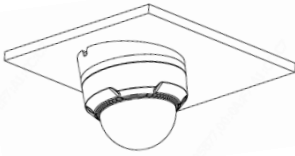
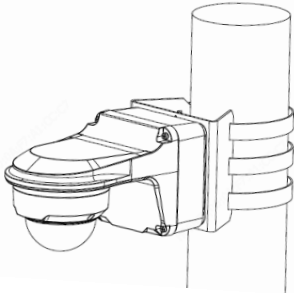
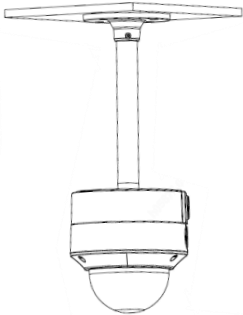


TR-SE24-A-IN



TR-CM24-IN



Junction Mount	Pole Mount
TR-JB03-G-IN	TR-JB07/WM03-G-IN
	
TR-UM06-E-IN	TR-JB07/WM03-G-IN+TR-UP06-IN
	
TR-CM24-IN+TR-JB03-G-IN	
	

**Zhejiang Uniview Technologies Co., Ltd.**

Building No.10, Wanlun Science Park, Jiangling Road 88, Binjiang District, Hangzhou, Zhejiang, China (310051)

 Email: [overseasbusiness@uniview.com](mailto:overseasbusiness@uniview.com); [globalsupport@uniview.com](mailto:globalsupport@uniview.com)
<http://www.uniview.com>

©2020 Zhejiang Uniview Technologies Co., Ltd. All rights reserved.

\*Product specifications and availability are subject to change without notice.