



Thump GO

8" Portable Battery-Powered Loudspeaker

So, you need the sound of a powerful, professional loudspeaker with the portability of a boom box? Meet Thump GO; the take-it-anywhere, Bluetooth® equipped, ultra-flexible, battery-powered loudspeaker.

Built to make your life a whole lot easier, Thump GO offers lightning-fast setup and simple-yet-powerful sound processing, plus flexible inputs, Bluetooth® streaming, and wireless control via the Thump Connect 2 app.

Most importantly, Thump GO will amplify the real you with clear, punchy, and accurate sound wherever you call your stage. Take the performance of the renowned Thump Series anywhere, with the Thump GO Portable Battery-Powered Loudspeaker.

APPLICATIONS:

Singer-songwriters, presentation / announcement PA, karaoke / party, clubs / cafés, small restaurants, outdoor events / barbecues, banquet halls, conference rooms, boardrooms, and many, many more.

FEATURES:

- Ultra-efficient 200W Class-D amplifier
- 8" Custom high-output woofer
- 1" Compression driver
- Removable lithium-ion battery (included)
- Tri-color battery life indicator
- Up to 12 hours of battery life
- Bluetooth® connectivity for music streaming
- Wireless control via the Thump Connect 2 app
- Link to a second Thump GO via Bluetooth for music playback and control
- 2-channel digital mixer with XLR thru output
- Feedback Eliminator prevents nasty squeals and unwanted rumble
- 4 application-specific speaker modes
- Music Ducking mode automatically lowers Ch.2 level when Ch.1 receives signal
- Indoor / Outdoor voicing modes
- Precision digital crossover and driver alignment
- Smart input and thermal limiters
- Durable, lightweight molded enclosure
- 45-degree monitor angle
- Built-in pole mount
- Rugged powder coated steel grille
- Weight: 17.6 lb / 8 kg
- Dimensions (H x W x D): 18 x 9.1 x 11.2 in / 457 x 230 x 285 mm

THUMP GO SPECIFICATIONS

Acoustic Performance

| | |
|-----------------------------|----------------|
| Frequency Response (-10 dB) | 50 Hz – 20 kHz |
| Frequency Response (-3 dB) | 57 Hz – 20 kHz |
| Horizontal Coverage | 90° |
| Vertical Coverage | 60° |
| Maximum SPL Peak | 115 dB |
| Monitor Angle | 45° |

Transducers

| | |
|----------------|-------------------------------------------|
| Low Frequency | 8 in / 203 mm with ferrite |
| High Frequency | 1.0 in / 25 mm polymer compression driver |

Power Amplifiers

| | |
|--------------------------------|--------------------|
| System Power Amplification | |
| Rated Power | 200 watts peak |
| Low Frequency Power Amplifier | |
| Rated Power | 175 watts peak |
| Rated THD | <1% |
| Cooling Design | Convection Class D |
| High Frequency Power Amplifier | |
| Rated Power | 25 watts peak |
| Rated THD | <1% |
| Cooling Design | Convection Class D |

System Processing

| | |
|---------|--------------------|
| Voicing | Four speaker modes |
|---------|--------------------|

Input / Output

| | |
|--------------------------|---------------------------------------------------------------------|
| Input Type | 2x Female XLR & 1/4" Balanced TRS combo jack • 1/8" TRS • Bluetooth |
| Mic-Line Impedance | 20 k Ω balanced |
| 1/4" TRS / XLR Impedance | 20 k Ω balanced |
| Output Type | Male XLR Balanced [Thru] |
| Thru Impedance | 150 Ω balanced |

Bluetooth Information

| | |
|--------------------|--------------------------------------------|
| Bluetooth Protocol | 5.0 |
| Bluetooth Function | Audio Streaming and User Interface Control |

Electronic Crossover

| | |
|---------------------|----------------|
| Crossover Type | 24 dB / octave |
| Crossover Frequency | 2.2 kHz |

Line Input Power

| | |
|----------------------|--------------------------------|
| Detachable line cord | 100 – 240 VAC, 50 – 60 Hz, 75W |
| AC Connector | 3-Pin IEC 250 VAC, 10 A male |
| Power Supply Type | Switchmode |

Safety Features

| | |
|------------------|-----------------------------------------------------------------------------------------------------------------------------------|
| Input Protection | Peak and RMS limiting, power supply and amplifier thermal protection |
| Display LEDs | Voicing Mode, Outdoor Mode, Music Ducking, Feedback Eliminator, Front LED, Bluetooth Status, Link Status, Overload, Battery Level |

Battery Information

| | |
|--------------|----------------------------------------------|
| Battery Type | Lithium Ion |
| Battery Life | Up to 12 hours |
| Charge Time | 3 hours (no signal) 4 hours (with signal) |

Construction Features

| | |
|-----------------------|----------------------------------------------|
| Basic Design | Asymmetrical |
| Enclosure Material | Polypropylene |
| Enclosure Finish | Black, textured finish |
| Grille Material | Perforated metal w/weather-resistant coating |
| Grille Finish | Powder-coated black |
| Handles | One |
| Operating Temperature | 0 – 40 °C 32 – 104 °F |

THUMP GO SPECIFICATIONS CONTINUED...

Mounting Methods

Floor mount or pole mount via the built-in socket on the bottom of the cabinet [Be sure the pole is capable of supporting the weight of the Thump GO].

They are NOT designed to be suspended. The cabinet has no rigging points and is not suitable for rigging. Never attempt to suspend a Thump GO by its handle.

Physical Properties (product)

| | |
|---------|------------------|
| Height: | 18.0 in / 457 mm |
| Width: | 9.1 in / 230 mm |
| Depth: | 11.2 in / 285 mm |
| Weight: | 17.6 lb / 8.0 kg |

Physical Properties (packaged product)

| | |
|---------|------------------|
| Height: | 21.1 in / 536 mm |
| Width: | 12.0 in / 305 mm |
| Depth: | 14.6 in / 371 mm |
| Weight: | 20.9 lb / 9.5 kg |

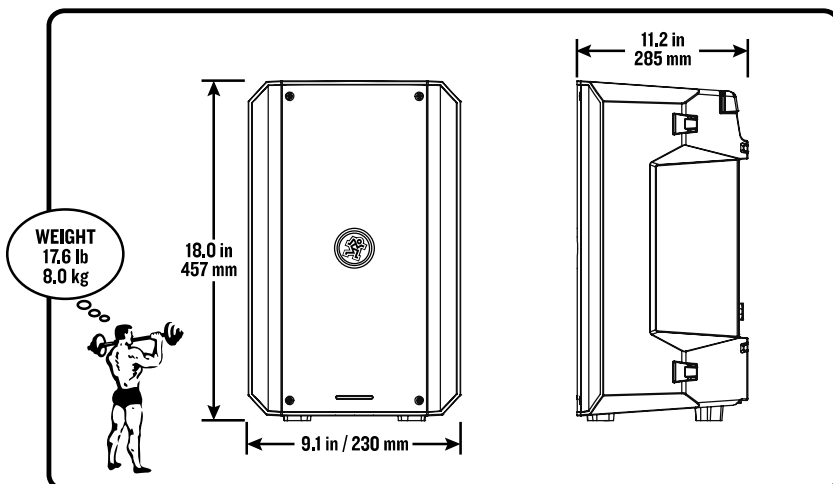
Options

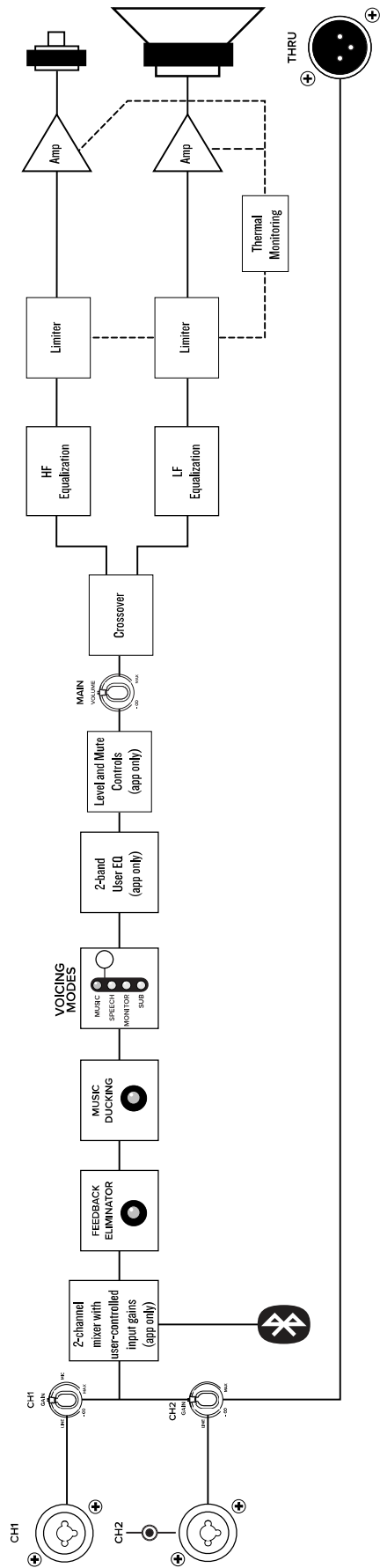
| | |
|-------------------------------|-------------|
| Thump GO Bag | P/N 2053622 |
| Replacement Battery | P/N 2053625 |
| T100 Loudspeaker Tripod Stand | P/N 2052464 |
| SPM400 Loudspeaker Pole Mount | P/N 2051055 |

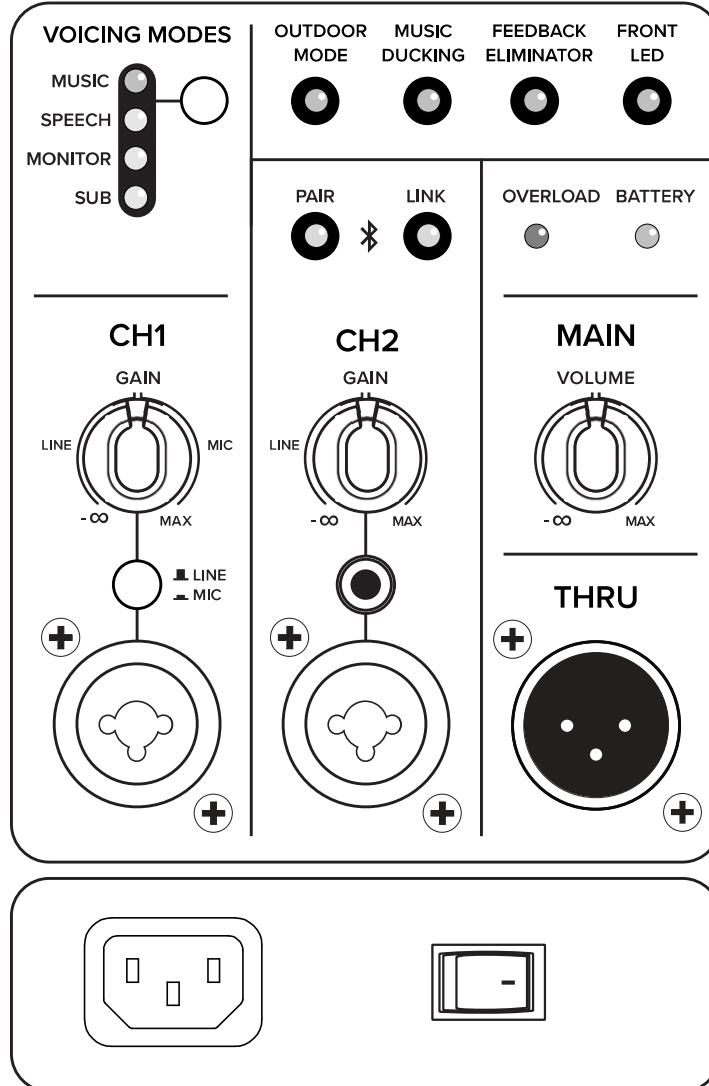
Ordering Information

| | |
|--------------------------------------------------------------|---------------------------|
| Thump GO – 8" Portable Battery-Powered Loudspeaker US | |
| | P/N 2053605-00 (US) |
| | P/N 2053605-01 (EU) |
| | P/N 2053605-03 (UK) |
| | P/N 2053605-04 (AU) |
| | P/N 2053605-05 (CN) |
| | P/N 2053605-06 (BZ ~120V) |
| | P/N 2053605-07 (AR) |
| | P/N 2053605-08 (KR) |

THUMP GO DIMENSIONS



THUMP GO BLOCK DIAGRAM


THUMP GO REAR PANEL


Electronic files for this product are available at:
www.mackie.com

Specification Sheet

THUMP_GO_SS.PDF

Owner's Manual

THUMP_GO_OM.PDF

LOUD Audio, LLC. is always striving to improve our products by incorporating new and improved materials, components, and manufacturing methods. Therefore, we reserve the right to change these specifications at any time without notice.

“Mackie” and the “Running Man” figure are registered trademarks of LOUD Audio, LLC. All other brands mentioned are trademarks or registered trademarks of their respective holders, and are hereby acknowledged.