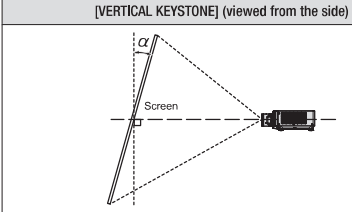
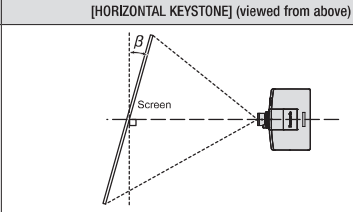
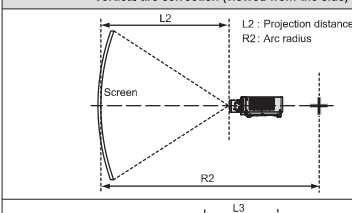
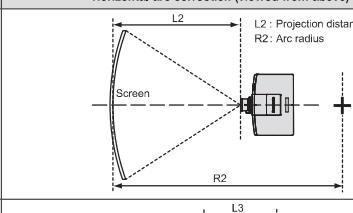
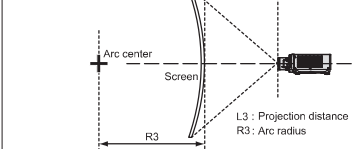
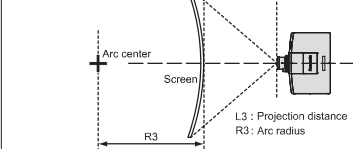




Specifications

Main unit

Power supply		AC 100V - 240V, 50Hz/60Hz
Power consumption		640W (6.5A) (650VA) NORMAL: 570W, QUIET:420W, SHUTTER: 85W * Operating Temperature: 25°C (77°F), Altitude: 700 m (2,297ft), IEC62087: 2008 Broadcast contents, Picture mode: Standard, Dynamic Contrast 2 During stadby: 8W When [STANDBY MODE] is set to [NORMAL] 0.5W When [STANDBY MODE] is set to [ECO]
BTU value		Max 1,945BTU
LCDpanel	Panel size	25.4 mm (1.0 in) diagonal (16:10 aspect ratio)
	Projection system	Transparent LCD panel (× 3, R/G/B)
	Pixels	2,304,000 (1920 × 1200) × 3
Light source		Laser Diode
Light output*1*2		10,000 lm*1 (When [OPERATING MODE] is set to [NORMAL])
Time until light output declines to 50%*3		20,000 hours (NORMAL, QUIET)
Resolution		1920 × 1200 pixels
Contrast ratio*1		3,000,000:1(all white/all black) (Dynamic Contrast 3)
Screen size		2.03–12.7 m (80–500 inches) diagonally, 16:10 aspect ratio
Center to corner zone ratio*1		85%
Lens		Optional powered zoom/focus lenses and fixed-focus lens
Compatible Signal	RGB signal input	<ul style="list-style-type: none"> ● Resolution: 640 x 480 to 1 920 x 1 200 ● Dot clock frequency: 162 MHz or less ● PIAS (Panasonic Intelligent Auto Scanning) system
	YCbCr/YPbPr signal input	<ul style="list-style-type: none"> ● Resolution: 480p/576p to 1 920 x 1 080 ● Dot clock frequency: 148.5 MHz or less ● The HD/SYNC and VD terminals do not support 3 value SYNC.
	DVI-D signal input	<ul style="list-style-type: none"> ● Moving image signal resolution: 480p/576p to 1 920 x 1 080 Still image signal resolution: 640 x 480 to 1 920 x 1 200 (non-interlace) ● Dot clock frequency: 25 MHz to 162 MHz
	HDMI signal input	<ul style="list-style-type: none"> ● Moving image signal resolution: 480p/576p to 4 096 x 2 160 Still image signal resolution: 640 x 480 to 1 920 x 1 200 (non-interlace) ● Dot clock frequency: 25 MHz to 594 MHz
	DIGITAL LINK signal input	<ul style="list-style-type: none"> ● Moving image signal resolution: 480p/576p to 4 096 x 2 160 Still image signal resolution: 640 x 480 to 1 920 x 1 200 (non-interlace) ● Dot clock frequency: 25 MHz to 297 MHz
	SDI signal input	HD-SDI signal 3G-SDI signal

Geometry correction range	[VERTICAL KEystone] (viewed from the side)	[HORIZONTAL KEystone] (viewed from above)
		
	Vertical arc correction (viewed from the side)	Horizontal arc correction (viewed from above)
		
		
		

Geometry correction range		Only [KEYSTONE] used		[KEYSTONE] and [CURVED CORRECTION] used together			Only [CURVED CORRECTION] used		
		Vertical keystone correction angle α (°)	Horizontal keystone correction angle β (°)	Vertical keystone correction angle α (°)	Horizontal keystone correction angle β (°)	Min. value of R2/L2	Min. value of R3/L3	Min. value of R2/L2	Min. value of R3/L3
Projection lens Model No.		ET-EMS600	ET-EMW200	ET-EMW300	ET-EMW400	ET-EMW500	ET-EMT700	ET-EMT800	
		±40	±15	±20	±15	1.1	2.6	0.6	1.5
		±14	±8	–	–	–	–	–	–
		±14	±8	–	–	–	–	–	–
		±22	±15	±8	±8	2	4.8	1.2	2.9
		±22	±15	±8	±8	1.6	3.9	0.9	2.3
		±40	±15	±20	±15	0.8	1.5	0.4	0.8
		±40	±15	±20	±15	0.4	0.7	0.2	0.4
When using the optional Upgrade Kit (Model No.: ET-UK20)									
Projection lens Model No.		Only [KEYSTONE] used*		[KEYSTONE] and [CURVED CORRECTION] used together			Only [CURVED CORRECTION] used		
		Vertical keystone correction angle α (°)	Horizontal keystone correction angle β (°)	Vertical keystone correction angle α (°)	Horizontal keystone correction angle β (°)	Min. value of R2/L2	Min. value of R3/L3	Min. value of R2/L2	Min. value of R3/L3
		ET-EMS600	ET-EMW200	ET-EMW300	ET-EMW400	ET-EMW500	ET-EMT700	ET-EMT800	
		±40	±40	±20	±15	0.9	2	0.5	1.1
		±14	±8	–	–	–	–	–	–
		±14	±8	–	–	–	–	–	–
		±22	±15	±8	±8	1.5	3.7	0.9	2.2
		±22	±15	±8	±8	1.2	3	0.7	1.7
		±40	±40	±20	±15	0.6	1.1	0.3	0.6
		±40	±40	±20	±15	0.3	0.6	0.2	0.3
* When [VERTICAL KEYSTONE] and [HORIZONTAL KEYSTONE] are used simultaneously, correction cannot be made exceeding total of 55°.									
<ul style="list-style-type: none"> ● When [GEOMETRY] is used, the focus of the entire screen may be lost as correction increases. ● Make the curved screen a circular arc shape with one part of a perfect circle removed. ● Adjustment range of the [GEOMETRY] items may not match the listed projection range depending on the projection lens. Use this projector within the projection range, otherwise the correction may not work. 									
Optical axis shift		Vertical ±60% Horizontal ±20% Vertical ±40%, Horizontal ±19% (ET-EMW200) Vertical ±50%, Horizontal ±20% (ET-EMW300)							
Installation		Ceiling/floor, front/rear							
Terminals	SDI IN	BNC × 1		3G-SDI signal: SMPTE ST 424, 425-2 compliant HD-SDI signal: SMPTE ST 292 compliant					
	HDMI IN	HDMI 19-pin × 1		Deep Color, compatible with HDCP 1x / HDCP2.2, 4K/60p*4 signal input					
	DVI-D IN	DVI-D 24pin × 1		compatible with HDCP 1x					
	RGB1 IN	D-sub 15-pin (female) × 1		RGB/Y _B P _R					
	SERIAL/MULTI PROJECTOR SYNC IN	D-sub 9-pin (female) × 1		for external control (RS-232C compliant)					
	SERIAL/MULTI PROJECTOR SYNC OUT	D-sub 9-pin (male) × 1		for link control					
	REMOTE 1 IN	D-sub 9-pin (female) × 1		for external control (parallel)					
	REMOTE 2 IN	M3 jack × 1		for wired remote control					
	REMOTE 2 OUT	M3 jack × 1		for link control (for wired remote control)					
	DIGITAL LINK	RJ-45 × 1		for network and DIGITAL LINK (video/network/serial control) (HDBaseT™ compliant), PLink [class 2] compatible, 100Base-TX, Art-Net compatible, HDCP 2.2compatible, Deep Color compatible, 4K/60p*4 signal input					
LAN	RJ-45 × 1		for network connection, PLink [class 2] compatible, 10Base-T/100Base-TX, Art-Net compatible						
DC OUT	USB type-A × 1		for power supply DC5V, 2A						
Power cord length		3.0 m (9ft 10 in)							
Cabinet materials		Molded plastic							
Dimensions (W×H×D)*5		650×211×440 mm (25-19/32×8-5/16×17-21/64 in)							
Weight*6		22.3 kg (49.2 lbs) (without lens)							
Operating noise		35 dB (NORMAL) /30 dB (QUIET)							
Operating environment	Operating environment temperature	0°C (32°F) to 45°C (113°F)*7							
	Operating environment humidity	10% to 80% (no condensation)							
Laser Classification	Laser Class	USA and Canada: Class 3R (IEC60825-1:2007) Other countries or regions: Class 1 (IEC/EN 60825-1:2014)							
	Risk Group	ET-EMW200/ET-EMW300/ET-EMW400/ ET-EMW500/ET-EMS600/ET-EMT700				Risk Group 2 (IEC 62471-5:2015)			
		ET-EMT800*8				Risk Group 2 or Risk Group 3 (IEC 62471-5:2015)			

Remote control unit

Power supply	3V DC (AAA/R03/LR03 battery × 2)
Operation range	Approx. 30 m (98 ft 5 in) (when operated directly in front of signal receptor)
Dimensions (W × H × D)	48×145×27 mm (1-7/8 × 5-23/32 × 1-1/16 in)
Weight*6	Approx. 102g (3.60 ozs.) including batteries

Supplied accessories

- Wireless remote control unit (× 1)
- Power cord (3.0m × 1) (× 2 for Europe and Asia model)
- Batteries for remote control (R03/AAA type × 2)
- Lens fixing screw (× 4)

Optional accessories

- Ceiling Mount Bracket ET-PKD120H (for high ceilings)
- Ceiling Mount Bracket ET-PKD120S (for low ceilings)
- High-ceiling mount bracket (6-axis adjustment mechanism) ET-PKD130H
- Attachment for ceiling mount bracket ET-PKE301B*9
- Digital Interface Box ET-YFB100G
- DIGITAL LINK switcher ET-YFB200G
- Geometry Manager Pro Upgrade kit ET-UK20
- NFC Upgrade Kit ET-NUK10*10
- Auto Screen Adjustment Upgrade kit ET-CUK10/CUK10P
- Early Warning Software ET-SWA100/105 series*11
- Zoom lens ET-EMW200 [Available from Apr. 2020]
- Zoom lens ET-EMW300 [Available from Jan. 2020]
- Zoom lens ET-EMW400 [Available from Nov. 2019]
- Zoom lens ET-EMW500 [Available from Jan. 2020]
- Zoom lens ET-EMS600 [Available from Nov. 2019]
- Zoom lens ET-EMT700 [Available from Dec. 2019]
- Zoom lens ET-EMT800 [Available from Jan. 2020]

Other Applications

- Multi Monitoring and Control Software (for Windows)
- Logo Transfer Software (for Windows)
- Smart Projector Control (for iOS/Android)
- Geometry Manager Pro (for Windows)

Weights and dimensions shown are approximate. Specifications subject to change without notice.

*1 Measurement, measuring conditions, and method of notation all comply with ISO/IEC 21118:2012 international standards.

*2 Value is for the supplied standard lens. The value varies depending on the lens.

*3 Around this time, light output will have decreased by approximately 50 %. IEC62087:2008 Broadcast contents, NORMAL Mode, Dynamic Contrast [3], under conditions with 35 °C (95 °F), 700 m (2,297 ft) above sea level, and 0.15 mg/m³ of particulate matter. Panasonic recommends cleaning or checkup at point of purchase after about 20,000 hours. Light-source lifetime may be reduced depending on environmental conditions.

Replacement of parts other than the light source may be required in a shorter period. Estimated maintenance time varies depending on environment.

*4 4K/60p input signal is converted to projector's resolution (1920 x 1200)

*5 When adjustable feet shortened.

*6 Average value. May differ depending on models.

*7 When using the projector at an altitude lower than 2,700 m (8,858') above sea level, and the operating environment temperature becomes 35 °C (95 °F) or higher, the light output may be reduced to protect the projector.

*8 When the throw ratio is 4.6:1 or less: Risk group 2

When the throw ratio exceeds 4.6:1: Risk group 3

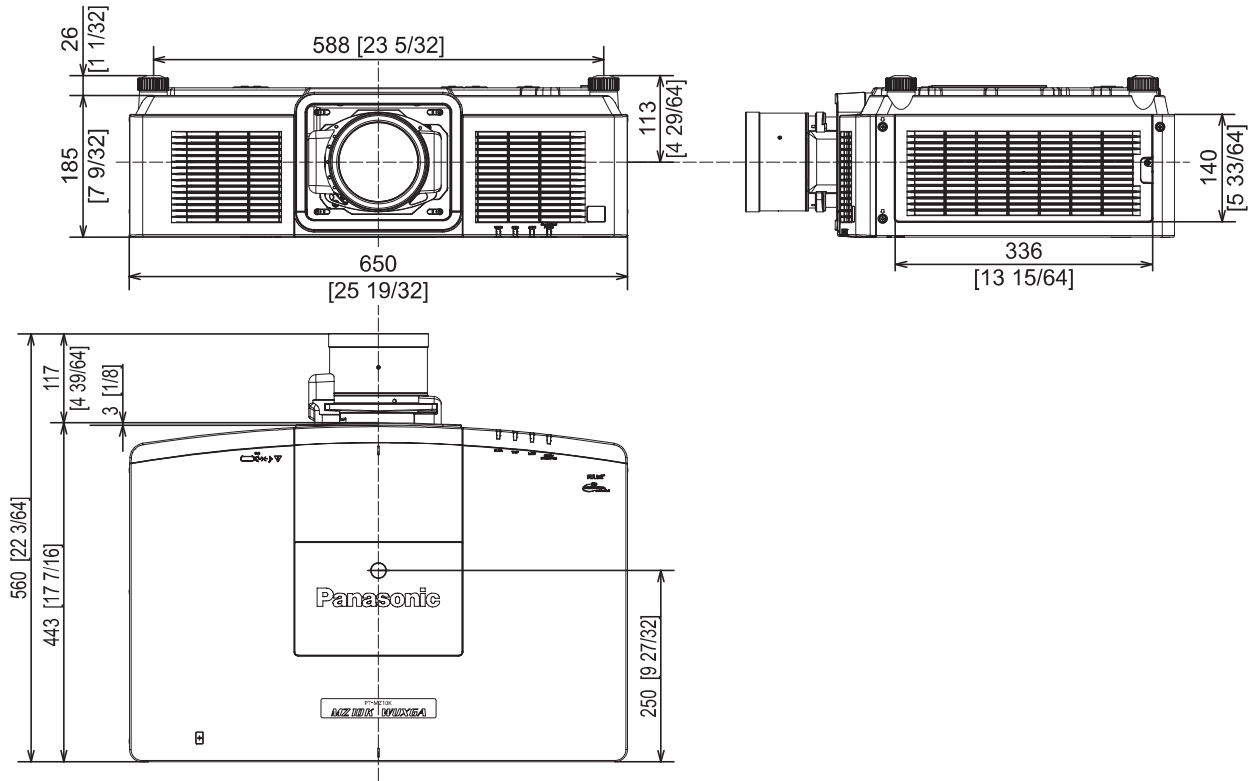
*9 When the projector is mounted to the existing Ceiling Mount Bracket (in combination with the Model No.: ET-PKD120H (for High Ceilings) or - ET-PKD120S (for Low Ceilings), and the Model No.: ET-PKE300B (Projector Mount Bracket)), it is necessary to replace the drop-prevention - wire rope with the one corresponding to this projector. Consult your dealer. Drop-prevention set (service model no.: DPPW1004ZA/X1)

*10 The availability of this product varies depending on the country. For details, contact local sales company

*11 The symbol at the end of the part number will vary depending on the type of license.

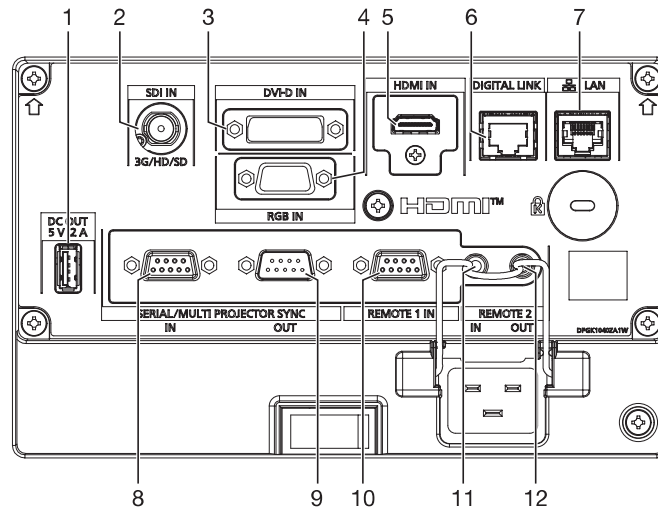
Dimensions

unit : mm (inch)
NOTE: This illustration is not drawn to scale.



* The above dimensions are obtained when the ET-EMS600 zoom lens (optional) is attached.
* Actual dimensions may differ depending on the product.

Terminals



1	DC OUT	7	LAN
2	SDI IN	8	SERIAL/MULTI PROJECTOR SYNC IN
3	DVI-D IN	9	SERIAL/MULTI PROJECTOR SYNC OUT
4	RGB IN	10	REMOTE 1 IN
5	HDMI IN	11	REMOTE 2 IN
6	DIGITAL LINK	12	REMOTE 2 OUT

Projection distance

Screen aspect ratio 16:10

Unit: meters

Lens type			Zoom Lens														Height position(H)		
Projection Lens Model No.			ET-EMS600		ET-EMW200		ET-EMW300		ET-EMW400		ET-EMW500		ET-EMT700		ET-EMT800		ET-EMS600 ET-EMW400 ET-EMW500 ET-EMT700 ET-EMT800	ET-EMW200	ET-EMW300
Throw ratio*			1.35-2.10:1		0.480-0.550:1		0.550-0.690:1		0.690-0.950:1		0.950-1.36:1		2.10-4.14:1		4.14-7.40:1				
Screen size			Distance to screen (L)														ET-EMS600 ET-EMW400 ET-EMW500 ET-EMT700 ET-EMT800	ET-EMW200	ET-EMW300
Diagonal (SD)	Height (SH)	Width (SW)	min. (LW)	max. (LT)	min. (LW)	max. (LT)	min. (LW)	max. (LT)	min. (LW)	max. (LT)	min. (LW)	max. (LT)	min. (LW)	max. (LT)	min. (LW)	max. (LT)			
2.03/ 80	1.077	1.723	2.30	3.64	0.81	0.95	0.93	1.19	1.17	1.64	1.61	2.34	3.55	7.15	7.12	12.88	-0.11 - 1.18	0.11 - 0.97	0.00 - 1.08
2.29/ 90	1.212	1.939	2.59	4.10	0.91	1.07	1.05	1.34	1.32	1.85	1.82	2.64	4.01	8.05	7.97	14.45	-0.12 - 1.34	0.12 - 1.09	0.00 - 1.21
2.54/100	1.346	2.154	2.89	4.56	1.03	1.19	1.18	1.49	1.48	2.06	2.03	2.93	4.50	8.90	8.90	16.00	-0.13 - 1.48	0.13 - 1.21	0.00 - 1.35
3.05/120	1.615	2.585	3.47	5.49	1.23	1.44	1.41	1.80	1.78	2.48	2.44	3.53	5.38	10.77	10.51	19.17	-0.16 - 1.78	0.16 - 1.45	0.00 - 1.62
3.81/150	2.019	3.231	4.35	6.87	1.55	1.81	1.78	2.26	2.24	3.12	3.07	4.43	6.75	13.49	13.06	23.89	-0.20 - 2.22	0.20 - 1.82	0.00 - 2.02
5.08/200	2.692	4.308	5.82	9.17	2.08	2.44	2.38	3.02	3.00	4.17	4.11	5.92	9.04	18.03	17.31	31.75	-0.27 - 2.96	0.27 - 2.42	0.00 - 2.69
6.35/250	3.365	5.385	7.29	11.47	2.62	3.06	2.99	3.79	3.76	5.23	5.15	7.42	11.33	22.56	21.56	39.61	-0.34 - 3.70	0.34 - 3.03	0.00 - 3.37
7.62/300	4.039	6.462	8.76	13.78	3.15	3.68	3.60	4.56	4.52	6.28	6.19	8.91	13.61	27.09	25.80	47.47	-0.40 - 4.44	0.40 - 3.63	0.00 - 4.04
8.89/350	4.712	7.539	10.23	16.08	3.68	4.30	4.20	5.32	5.28	7.34	7.23	10.40	15.90	31.63	30.05	55.33	-0.47 - 5.18	0.47 - 4.24	0.00 - 4.71
10.16/400	5.385	8.616	11.69	18.38	4.21	4.92	4.81	6.09	6.05	8.39	8.27	11.90	18.19	36.16	34.30	63.20	-0.54 - 5.92	0.54 - 4.85	0.00 - 5.38
12.70/500	6.731	10.770	14.63	22.99	5.28	6.16	6.02	7.62	7.57	10.50	10.34	14.89	22.76	45.22	42.79	78.92	-0.67 - 7.40	0.67 - 6.06	0.00 - 6.73

Unit: feet

Lens type			Zoom Lens														Height position(H)		
Projection Lens Model No.			ET-EMS600		ET-EMW200		ET-EMW300		ET-EMW400		ET-EMW500		ET-EMT700		ET-EMT800		ET-EMS600 ET-EMW400 ET-EMW500 ET-EMT700 ET-EMT800	ET-EMW200	ET-EMW300
Throw ratio*			1.35-2.10:1		0.480-0.550:1		0.550-0.690:1		0.690-0.950:1		0.950-1.36:1		2.10-4.14:1		4.14-7.40:1				
Screen size			Distance to screen (L)														ET-EMS600 ET-EMW400 ET-EMW500 ET-EMT700 ET-EMT800	ET-EMW200	ET-EMW300
Diagonal (SD)	Height (SH)	Width (SW)	min. (LW)	max. (LT)	min. (LW)	max. (LT)	min. (LW)	max. (LT)	min. (LW)	max. (LT)	min. (LW)	max. (LT)	min. (LW)	max. (LT)	min. (LW)	max. (LT)			
2.03/ 80	1.077	1.723	7.55	11.94	2.66	3.12	3.05	3.90	3.84	5.38	5.28	7.68	11.65	23.46	23.36	42.26	-0.36 - 3.87	0.36 - 3.18	0.00 - 3.54
2.29/ 90	1.212	1.939	8.50	13.45	2.99	3.51	3.44	4.40	4.33	6.07	5.97	8.66	13.16	26.41	26.15	47.41	-0.39 - 4.40	0.39 - 3.58	0.00 - 3.97
2.54/100	1.346	2.154	9.48	14.96	3.38	3.90	3.87	4.89	4.86	6.76	6.66	9.61	14.76	29.20	29.20	52.49	-0.43 - 4.86	0.43 - 3.97	0.00 - 4.43
3.05/120	1.615	2.585	11.38	18.01	4.04	4.72	4.63	5.91	5.84	8.14	8.01	11.58	17.65	35.33	34.48	62.89	-0.52 - 5.84	0.52 - 4.76	0.00 - 5.31
3.81/150	2.019	3.231	14.27	22.54	5.09	5.94	5.84	7.41	7.35	10.24	10.07	14.53	22.15	44.26	42.85	78.38	-0.66 - 7.28	0.66 - 5.97	0.00 - 6.63
5.08/200	2.692	4.308	19.09	30.08	6.82	8.01	7.81	9.91	9.84	13.68	13.48	19.42	29.66	59.15	56.79	104.17	-0.89 - 9.71	0.89 - 7.94	0.00 - 8.83
6.35/250	3.365	5.385	23.92	37.63	8.60	10.04	9.81	12.43	12.34	17.16	16.90	24.34	37.17	74.01	70.73	129.95	-1.12 - 12.14	1.12 - 9.94	0.00 - 11.06
7.62/300	4.039	6.462	28.74	45.21	10.33	12.07	11.81	14.96	14.83	20.60	20.31	29.23	44.65	88.88	84.64	155.74	-1.31 - 14.57	1.31 - 11.91	0.00 - 13.25
8.89/350	4.712	7.539	33.56	52.76	12.07	14.11	13.78	17.45	17.32	24.08	23.72	34.12	52.16	103.77	98.59	181.53	-1.54 - 16.99	1.54 - 13.91	0.00 - 15.45
10.16/400	5.385	8.616	38.35	60.30	13.81	16.14	15.78	19.98	19.85	27.53	27.13	39.04	59.68	118.63	112.53	207.35	-1.77 - 19.42	1.77 - 15.91	0.00 - 17.65
12.70/500	6.731	10.770	48.00	75.43	17.32	20.21	19.75	25.00	24.84	34.45	33.92	48.85	74.67	148.36	140.39	258.92	-2.20 - 24.28	2.20 - 19.88	0.00 - 22.08

- The value for L (distance to screen) varies slightly within ±5% depending on the zoom lens characteristics.
 - The zoom lens characteristics may cause slight image distortion.
 - When vertical keystone correction is used, the image is corrected in the direction that reduces its projected size.
 - The brightness varies depending on the zoom setting.
- * The throw ratio is based on the value during projection with the projected image size of 2.54 m (100").

Screen aspect ratio 16:9

Unit: meters

Lens type			Zoom Lens														Height position(H)		
Projection Lens Model No.			ET-EMS600		ET-EMW200		ET-EMW300		ET-EMW400		ET-EMW500		ET-EMT700		ET-EMT800		ET-EMS600 ET-EMW400 ET-EMW500 ET-EMT700 ET-EMT800	ET-EMW200	ET-EMW300
Throw ratio*			1.35-2.10:1		0.480-0.550:1		0.550-0.690:1		0.690-0.950:1		0.950-1.36:1		2.10-4.15:1		4.12-7.40:1				
Screen size			Distance to screen (L)														ET-EMS600 ET-EMW400 ET-EMW500 ET-EMT700 ET-EMT800	ET-EMW200	ET-EMW300
Diagonal (SD)	Height (SH)	Width (SW)	min. (LW)	max. (LT)	min. (LW)	max. (LT)	min. (LW)	max. (LT)	min. (LW)	max. (LT)	min. (LW)	max. (LT)	min. (LW)	max. (LT)	min. (LW)	max. (LT)			
2.03/ 80	0.996	1.771	2.37	3.75	0.83	0.97	0.96	1.22	1.20	1.69	1.66	2.41	3.65	7.35	7.31	13.23	-0.17 - 1.16	0.06 - 0.94	-0.06 - 1.05
2.29/ 90	1.121	1.992	2.67	4.22	0.94	1.10	1.08	1.38	1.36	1.90	1.87	2.71	4.12	8.28	8.18	14.84	-0.19 - 1.31	0.06 - 1.06	-0.06 - 1.18
2.54/100	1.245	2.214	2.97	4.69	1.06	1.22	1.21	1.53	1.52	2.12	2.09	3.02	4.60	9.20	9.10	16.40	-0.21 - 1.45	0.07 - 1.18	-0.07 - 1.31
3.05/120	1.494	2.657	3.57	5.64	1.27	1.48	1.46	1.85	1.83	2.56	2.51	3.63	5.53	11.08	10.80	19.69	-0.25 - 1.74	0.08 - 1.41	-0.08 - 1.58
3.81/150	1.868	3.321	4.48	7.06	1.60	1.87	1.83	2.32	2.24	3.21	3.15	4.56	6.94	13.87	13.42	24.54	-0.31 - 2.18	0.10 - 1.76	-0.10 - 1.97
5.08/200	2.491	4.428	5.99	9.43	2.14	2.50	2.45	3.11	3.03	4.29	4.22	6.09	9.29	18.53	17.78	32.62	-0.41 - 2.90	0.14 - 2.35	-0.14 - 2.63
6.35/250	3.113	5.535	7.49	11.79	2.69	3.14	3.07	3.90	4.24	5.37	5.29	7.63	11.64	23.19	22.15	40.70	-0.52 - 3.63	0.17 - 2.94	-0.17 - 3.28
7.62/300	3.736	6.641	9.00	14.16	3.24	3.78	3.70	4.68	5.00	6.46	6.36	9.16	13.99	27.85	26.51	48.78	-0.62 - 4.36	0.21 - 3.53	-0.21 - 3.94
8.89/350	4.358	7.748	10.51	16.53	3.78	4.42	4.32	5.47	5.48	7.54	7.43	10.70	16.35	32.51	30.88	56.86	-0.73 - 5.08	0.24 - 4.11	-0.24 - 4.60
10.16/400	4.981	8.855	12.02	18.89	4.33	5.06	4.94	6.26	6.27	8.62	8.50	12.23	18.70	37.17	35.24	64.94	-0.83 - 5.81	0.28 - 4.70	-0.28 - 5.25
12.70/500	6.226	11.069	15.04	23.63	5.42	6.33	6.19	7.83	7.84	10.79	10.63	15.30	23.40	46.49	43.97	81.11	-1.04 - 7.26	0.35 - 5.88	-0.35 - 6.57

Unit: feet

Lens type			Zoom Lens														Height position(H)		
Projection Lens Model No.			ET-EMS600		ET-EMW200		ET-EMW300		ET-EMW400		ET-EMW500		ET-EMT700		ET-EMT800		ET-EMS600 ET-EMW400 ET-EMW500 ET-EMT700 ET-EMT800	ET-EMW200	ET-EMW300
Throw ratio*			1.35-2.10:1		0.480-0.550:1		0.550-0.690:1		0.690-0.950:1		0.950-1.36:1		2.10-4.15:1		4.12-7.40:1				
Screen size			Distance to screen (L)														ET-EMS600 ET-EMW400 ET-EMW500 ET-EMT700 ET-EMT800	ET-EMW200	ET-EMW300
Diagonal (SD)	Height (SH)	Width (SW)	min. (LW)	max. (LT)	min. (LW)	max. (LT)	min. (LW)	max. (LT)	min. (LW)	max. (LT)	min. (LW)	max. (LT)	min. (LW)	max. (LT)	min. (LW)	max. (LT)			
2.03/ 80	0.996	1.771	7.78	12.30	2.72	3.18	3.15	4.00	3.94	5.54	5.45	7.91	11.97	24.11	23.98	43.40	-0.56 - 3.81	0.20 - 3.08	-0.20 - 3.44
2.29/ 90	1.121	1.992	8.76	13.84	3.08	3.61	3.54	4.53	4.46	6.23	6.14	8.89	13.52	27.17	26.84	48.69	-0.62 - 4.30	0.20 - 3.48	-0.20 - 3.87
2.54/100	1.245	2.214	9.74	15.39	3.48	4.00	3.97	5.02	4.99	6.96	6.86	9.91	15.09	30.18	29.86	53.81	-0.69 - 4.76	0.23 - 3.87	-0.23 - 4.30
3.05/120	1.494	2.657	11.71	18.50	4.17	4.86	4.79	6.07	6.00	8.40	8.23	11.91	18.14	36.35	35.43	64.60	-0.82 - 5.71	0.26 - 4.63	-0.26 - 5.18
3.81/150	1.868	3.321	14.70	23.16	5.25	6.14	6.00	7.61	7.35	10.53	10.33	14.96	22.77	45.50	44.03	80.51	-1.02 - 7.15	0.33 - 5.77	-0.33 - 6.46
5.08/200	2.491	4.428	19.65	30.94	7.02	8.20	8.04	10.20	9.94	14.07	13.84	19.98	30.48	60.79	58.33	107.02	-1.35 - 9.51	0.46 - 7.71	-0.46 - 8.63
6.35/250	3.113	5.535	24.57	38.68	8.83	10.30	10.07	12.80	13.91	17.62	17.36	25.03	38.19	76.08	72.67	133.53	-1.71 - 11.91	0.56 - 9.65	-0.56 - 10.76
7.62/300	3.736	6.641	29.53	46.46	10.63	12.40	12.14	15.35	16.40	21.19	20.87	30.05	45.90	91.37	86.97	160.04	-2.03 - 14.30	0.69 - 11.58	-0.69 - 12.93
8.89/350	4.358	7.748	34.48	54.23	12.40	14.50	14.17	17.95	17.98	24.74	24.38	35.10	53.64	106.66	101.31	186.55	-2.39 - 16.67	0.79 - 13.48	-0.79 - 15.09
10.16/400	4.981	8.855	39.44	61.97	14.21	16.60	16.21	20.54	20.57	28.28	27.89	40.12	61.35	121.95	115.62	213.06	-2.72 - 19.06	0.92 - 15.42	-0.92 - 17.22
12.70/500	6.226	11.069	49.34	77.53	17.78	20.77	20.31	25.69	25.72	35.40	34.87	50.20	76.77	152.52	144.26	266.11	-3.41 - 23.82	1.15 - 19.29	-1.15 - 21.55

- The value for L (distance to screen) varies slightly within ±5% depending on the zoom lens characteristics.
 - The zoom lens characteristics may cause slight image distortion.
 - When vertical keystone correction is used, the image is corrected in the direction that reduces its projected size.
 - The brightness varies depending on the zoom setting.
- * The throw ratio is based on the value during projection with the projected image size of 2.54 m (100").

Screen aspect ratio 4:3

Unit: meters

Lens type			Zoom Lens														Height position(H)		
Projection Lens Model No.			ET-EMS600	ET-EMW200	ET-EMW300	ET-EMW400	ET-EMW500	ET-EMT700	ET-EMT800	ET-EMS600 ET-EMW400 ET-EMW500 ET-EMT700 ET-EMT800	ET-EMW200	ET-EMW300							
Throw ratio*			1.62-2.50:1	0.580-0.660:1	0.660-0.830:1	0.830-1.15:1	1.14-1.63:1	2.50-4.97:1	4.93-8.70:1										
Screen size			Distance to screen (L)																
Diagonal (SD)	Height (SH)	Width (SW)	min. (LW)	max. (LT)	min. (LW)	max. (LT)	min. (LW)	max. (LT)	min. (LW)	max. (LT)	min. (LW)	max. (LT)	min. (LW)	max. (LT)	min. (LW)	max. (LT)	min. (LW)	max. (LT)	
2.03/ 80	1.219	1.626	2.61	4.13	0.92	1.08	1.06	1.35	1.33	1.86	1.83	2.66	4.03	8.11	8.01	14.54	-0.12 - 1.34	0.12 - 1.10	0.00 - 1.22
2.29/ 90	1.372	1.829	2.94	4.65	1.04	1.22	1.20	1.52	1.50	2.10	2.07	2.99	4.55	9.13	8.98	16.02	-0.14 - 1.51	0.14 - 1.24	0.00 - 1.37
2.54/100	1.524	2.032	3.28	5.17	1.17	1.35	1.34	1.69	1.68	2.34	2.31	3.33	5.07	10.10	10.00	17.80	-0.15 - 1.68	0.15 - 1.37	0.00 - 1.52
3.05/120	1.829	2.438	3.94	6.22	1.40	1.64	1.61	2.04	2.02	2.82	2.77	4.01	6.11	12.21	11.86	21.36	-0.18 - 2.01	0.18 - 1.65	0.00 - 1.83
3.81/150	2.286	3.048	4.94	7.78	1.76	2.06	2.02	2.56	2.54	3.54	3.48	5.02	7.66	15.29	14.74	26.70	-0.23 - 2.51	0.23 - 2.06	0.00 - 2.29
5.08/200	3.048	4.064	6.60	10.39	2.37	2.76	2.70	3.43	3.40	4.73	4.66	6.71	10.25	20.42	19.55	35.60	-0.31 - 3.35	0.31 - 2.74	0.00 - 3.05
6.35/250	3.810	5.080	8.26	12.99	2.97	3.47	3.39	4.30	4.26	5.92	5.83	8.40	12.84	25.55	24.36	44.50	-0.38 - 4.19	0.38 - 3.43	0.00 - 3.81
7.62/300	4.572	6.096	9.92	15.60	3.57	4.17	4.08	5.16	5.13	7.12	7.01	10.09	15.43	30.69	29.17	53.40	-0.46 - 5.03	0.46 - 4.11	0.00 - 4.57
8.89/350	5.334	7.112	11.58	18.21	4.17	4.87	4.76	6.03	5.99	8.31	8.19	11.79	18.01	35.82	33.98	62.30	-0.53 - 5.87	0.53 - 4.80	0.00 - 5.33
10.16/400	6.096	8.128	13.25	20.81	4.77	5.57	5.45	6.90	6.85	9.50	9.36	13.48	20.60	40.95	38.78	71.20	-0.61 - 6.71	0.61 - 5.49	0.00 - 6.10
12.70/500	7.620	10.160	16.57	26.03	5.98	6.98	6.82	8.63	8.58	11.89	11.72	16.86	25.78	51.21	48.40	89.00	-0.76 - 8.38	0.76 - 6.86	0.00 - 7.62

Unit: feet

Lens type			Zoom Lens														Height position(H)		
Projection Lens Model No.			ET-EMS600	ET-EMW200	ET-EMW300	ET-EMW400	ET-EMW500	ET-EMT700	ET-EMT800	ET-EMS600 ET-EMW400 ET-EMW500 ET-EMT700 ET-EMT800	ET-EMW200	ET-EMW300							
Throw ratio*			1.62-2.50:1	0.580-0.660:1	0.660-0.830:1	0.830-1.15:1	1.14-1.63:1	2.50-4.97:1	4.93-8.70:1										
Screen size			Distance to screen (L)																
Diagonal (SD)	Height (SH)	Width (SW)	min. (LW)	max. (LT)	min. (LW)	max. (LT)	min. (LW)	max. (LT)	min. (LW)	max. (LT)	min. (LW)	max. (LT)	min. (LW)	max. (LT)	min. (LW)	max. (LT)	min. (LW)	max. (LT)	
2.03/ 80	1.219	1.626	8.56	13.55	3.02	3.54	3.48	4.43	4.36	6.10	6.00	8.73	13.22	26.61	26.28	47.70	-0.39 - 4.40	0.39 - 3.61	0.00 - 4.00
2.29/ 90	1.372	1.829	9.65	15.26	3.41	4.00	3.94	4.99	4.92	6.89	6.79	9.81	14.93	29.95	29.46	52.56	-0.46 - 4.95	0.46 - 4.07	0.00 - 4.49
2.54/100	1.524	2.032	10.76	16.96	3.84	4.43	4.40	5.54	5.51	7.68	7.58	10.93	16.63	33.14	32.81	58.40	-0.49 - 5.51	0.49 - 4.49	0.00 - 4.99
3.05/120	1.829	2.438	12.93	20.41	4.59	5.38	5.28	6.69	6.63	9.25	9.09	13.16	20.05	40.06	38.91	70.08	-0.59 - 6.59	0.59 - 5.41	0.00 - 6.00
3.81/150	2.286	3.048	16.21	25.52	5.77	6.76	6.63	8.40	8.33	11.61	11.42	16.47	25.13	50.16	48.36	87.60	-0.75 - 8.23	0.75 - 6.76	0.00 - 7.51
5.08/200	3.048	4.064	21.65	34.09	7.78	9.06	8.86	11.25	11.15	15.52	15.29	22.01	33.63	66.99	64.14	116.80	-1.02 - 10.99	1.02 - 8.99	0.00 - 10.01
6.35/250	3.810	5.080	27.10	42.62	9.74	11.38	11.12	14.11	13.98	19.42	19.13	27.56	42.13	83.82	79.92	146.00	-1.25 - 13.75	1.25 - 11.25	0.00 - 12.50
7.62/300	4.572	6.096	32.55	51.18	11.71	13.68	13.39	16.93	16.83	23.36	23.00	33.10	50.62	100.69	95.70	175.19	-1.51 - 16.50	1.51 - 13.48	0.00 - 14.99
8.89/350	5.334	7.112	37.99	59.74	13.68	15.98	15.62	19.78	19.65	27.26	26.87	38.68	59.09	117.52	111.48	204.39	-1.74 - 19.26	1.74 - 15.75	0.00 - 17.49
10.16/400	6.096	8.128	43.47	68.27	15.65	18.27	17.88	22.64	22.47	31.17	30.71	44.23	67.58	134.35	127.23	233.59	-2.00 - 22.01	2.00 - 18.01	0.00 - 20.01
12.70/500	7.620	10.160	54.36	85.40	19.62	22.90	22.38	28.31	28.15	39.01	38.45	55.31	84.58	168.01	158.79	291.99	-2.49 - 27.49	2.49 - 22.51	0.00 - 25.00

- The value for L (distance to screen) varies slightly within ±5% depending on the zoom lens characteristics.
 - The zoom lens characteristics may cause slight image distortion.
 - When vertical keystone correction is used, the image is corrected in the direction that reduces its projected size.
 - The brightness varies depending on the zoom setting.
- * The throw ratio is based on the value during projection with the projected image size of 2.54 m (100").

Formula to calculate projection distance per Projection Lens

To use a screen size not listed in this manual, check the screen size SD (m) and use the respective formula to calculate projection distance.

The unit of all the formulae is m. (Values obtained by the following calculation formulae contain a slight error.)

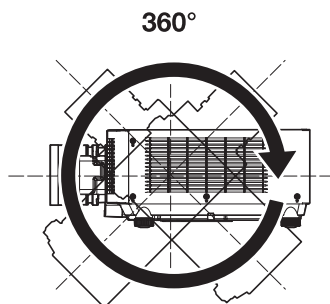
When calculating a projection distance using image size designation (value in inches), multiply the value in inches by 0.0254 and substitute it into SD in the formula for calculating the projection distance

Lens type	Projection Lens Model No.	Throw ratio	Aspect ratio	Projection distance (L) formula	
				Min. (LW)	Max. (LT)
Zoom lens	ET-EMS600	1.35-2.10:1	16:10	$L=1.1559 \times SD - 0.0491$	$L=1.8130 \times SD - 0.0399$
		1.35-2.10:1	16:9	$L=1.1880 \times SD - 0.0491$	$L=1.8634 \times SD - 0.0399$
		1.62-2.50:1	4:3	$L=1.3086 \times SD - 0.0491$	$L=2.0524 \times SD - 0.0399$
	ET-EMW200	0.480-0.550:1	16:10	$L=0.4189 \times SD - 0.0435$	$L=0.4888 \times SD - 0.0473$
		0.480-0.550:1	16:9	$L=0.4306 \times SD - 0.0435$	$L=0.5023 \times SD - 0.0473$
		0.580-0.660:1	4:3	$L=0.4742 \times SD - 0.0435$	$L=0.5533 \times SD - 0.0473$
	ET-EMW300	0.550-0.690:1	16:10	$L=0.4772 \times SD - 0.0397$	$L=0.6031 \times SD - 0.0397$
		0.550-0.690:1	16:9	$L=0.4904 \times SD - 0.0397$	$L=0.6199 \times SD - 0.0397$
		0.660-0.830:1	4:3	$L=0.5402 \times SD - 0.0397$	$L=0.6828 \times SD - 0.0397$
	ET-EMW400	0.690-0.950:1	16:10	$L=0.6003 \times SD - 0.0518$	$L=0.8303 \times SD - 0.0460$
		0.690-0.950:1	16:9	$L=0.6170 \times SD - 0.0518$	$L=0.8534 \times SD - 0.0460$
		0.830-1.15:1	4:3	$L=0.6795 \times SD - 0.0518$	$L=0.9400 \times SD - 0.0460$
	ET-EMW500	0.950-1.36:1	16:10	$L=0.8185 \times SD - 0.0509$	$L=1.1760 \times SD - 0.0500$
		0.950-1.36:1	16:9	$L=0.8413 \times SD - 0.0509$	$L=1.2087 \times SD - 0.0500$
		1.14-1.63:1	4:3	$L=0.9266 \times SD - 0.0509$	$L=1.3313 \times SD - 0.0500$
	ET-EMT700	2.10-4.14:1	16:10	$L=1.8007 \times SD - 0.1082$	$L=3.5693 \times SD - 0.1046$
		2.10-4.15:1	16:9	$L=1.8508 \times SD - 0.1082$	$L=3.6685 \times SD - 0.1046$
		2.50-4.97:1	4:3	$L=2.0385 \times SD - 0.1082$	$L=4.0407 \times SD - 0.1046$
	ET-EMT800	4.14-7.40:1	16:10	$L=3.3441 \times SD + 0.3209$	$L=6.1906 \times SD + 0.2998$
		4.12-7.40:1	16:9	$L=3.4371 \times SD + 0.3209$	$L=6.3627 \times SD + 0.2998$
		4.93-8.70:1	4:3	$L=3.7858 \times SD + 0.3209$	$L=7.0082 \times SD + 0.2998$

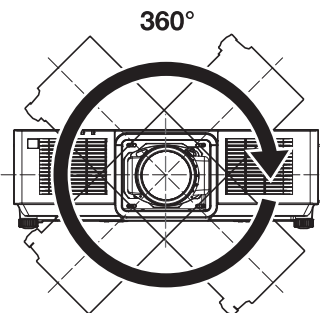
Installable angle

Install the projector at an angle within the range shown below.

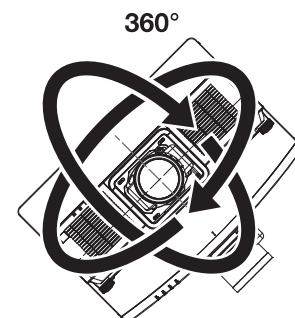
FULL 360-degree projection



Vertical 360-deg.



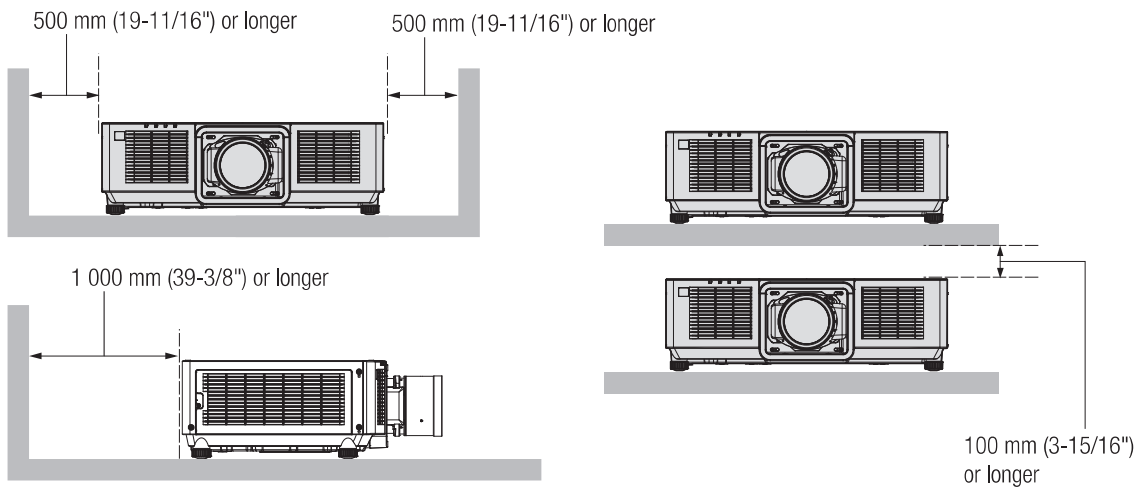
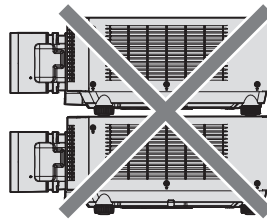
Horizontal 360-deg.



Tilting 360-deg.
(V&H combination)

Notes on projector placement and operation

1. Never place objects on top of the projector while it is operating.
2. Make sure there is the unobstructed space as shown below or more around the projector's exhaust openings. In addition to this space, also ensure that there is a sufficient work space for removing and installing filter and other parts.
3. Make sure that nothing blocks the projector's air intake and exhaust openings. Also, install the projector so that cool or hot air from other air conditioning equipment does not flow directly toward the projector's air intake or exhaust openings.
4. Do not install the projector in an enclosed space. If it is necessary to install it in an enclosed space, add a separate ventilation system. If ventilation is insufficient, hot air will accumulate at the intake opening. This may cause the projector's protective circuit to interrupt projector operation.



List of compatible signals

The following table specifies the video signals compatible with the projector. For details of SDI signal, refer to "List of single link SDI compatible signals".

This projector supports the signal with ✓ in the compatible signal column.

• The content of the compatible signal column is as follows.

-RGB:RGB input -DVI-D:DVI-D input -HDMI:HDMI input -DIGITAL LINK:DIGITAL LINK input

Signal name (SIGNAL FORMAT)	Resolution (Dots)	Scanning freq.		Dot clock freq. (MHz)	Compatible signal			
		Horizontal (kHz)	Vertical (Hz)		RGB	DVI-D	HDMI	DIGITAL LINK
480/60p	720 x 480	31.5	59.9	27.0	✓	✓	✓	✓
576/50p	720 x 576	31.3	50.0	27.0	✓	✓	✓	✓
720/60p	1 280 x 720	45.0	60.0 ^{*1}	74.3	✓	✓	✓	✓
720/50p	1 280 x 720	37.5	50.0	74.3	✓	✓	✓	✓
1080/60i	1 920 x 1 080i	33.8	60.0 ^{*1}	74.3	✓	✓	✓	✓
1080/50i	1 920 x 1 080i	28.1	50.0	74.3	✓	✓	✓	✓
1080/24p	1 920 x 1 080	27.0	24.0 ^{*1}	74.3	✓	✓	✓	✓
1080/24sF	1 920 x 1 080i	27.0	48.0 ^{*1}	74.3	✓	✓	✓	✓
1080/25p	1 920 x 1 080	28.1	25.0	74.3	✓	✓	✓	✓
1080/30p	1 920 x 1 080	33.8	30.0 ^{*1}	74.3	✓	✓	✓	✓
1080/60p	1 920 x 1 080	67.5	60.0 ^{*1}	148.5	✓	✓	✓	✓
1080/50p	1 920 x 1 080	56.3	50.0	148.5	✓	✓	✓	✓
3840 x 2160/24p	3 840 x 2 160	54.0	24.0 ^{*1}	297.0	-	-	✓	✓
3840 x 2160/25p	3 840 x 2 160	56.3	25.0	297.0	-	-	✓	✓
3840 x 2160/30p	3 840 x 2 160	67.5	30.0 ^{*1}	297.0	-	-	✓	✓
3840 x 2160/60p	3 840 x 2 160	135.0	60.0 ^{*1}	297.0	-	-	✓ ^{*2}	✓ ^{*2}
	3 840 x 2 160	135.0	60.0 ^{*1}	594.0	-	-	✓	-
3840 x 2160/50p	3 840 x 2 160	112.5	50.0	297.0	-	-	✓ ^{*2}	✓ ^{*2}
	3 840 x 2 160	112.5	50.0	594.0	-	-	✓	-
4096 x 2160/24p	4 096 x 2 160	54.0	24.0 ^{*1}	297.0	-	-	✓	✓
4096 x 2160/25p	4 096 x 2 160	56.3	25.0	297.0	-	-	✓	✓
4096 x 2160/30p	4 096 x 2 160	67.5	30.0 ^{*1}	297.0	-	-	✓	✓
4096 x 2160/60p	4 096 x 2 160	135.0	60.0 ^{*1}	297.0	-	-	✓ ^{*2}	✓ ^{*2}
	4 096 x 2 160	135.0	60.0 ^{*1}	594.0	-	-	✓	-
4096 x 2160/50p	4 096 x 2 160	112.5	50.0	297.0	-	-	✓ ^{*2}	✓ ^{*2}
	4 096 x 2 160	112.5	50.0	594.0	-	-	✓	-
640 x 480/60	640 x 480	31.5	59.9	25.2	✓	✓	✓	✓
1024 x 768/50	1 024 x 768	39.6	50.0	51.9	✓	✓	✓	✓
1024 x 768/60	1 024 x 768	48.4	60.0	65.0	✓	✓	✓	✓
1280 x 800/50	1 280 x 800	41.3	50.0	68.0	✓	✓	✓	✓
1280 x 800/60	1 280 x 800	49.7	59.8	83.5	✓	✓	✓	✓
1280 x 1024/50	1 280 x 1 024	52.4	50.0	88.0	✓	✓	✓	✓
1280 x 1024/60	1 280 x 1 024	64.0	60.0	108.0	✓	✓	✓	✓
1366 x 768/50	1 366 x 768	39.6	49.9	69.0	✓	✓	✓	✓
1366 x 768/60	1 366 x 768	47.7	59.8	85.5	✓	✓	✓	✓
1400 x 1050/50	1 400 x 1 050	54.1	50.0	99.9	✓	✓	✓	✓
1400 x 1050/60	1 400 x 1 050	65.2	60.0	122.6	✓	✓	✓	✓
1440 x 900/50	1 440 x 900	46.3	49.9	86.8	✓	✓	✓	✓
1440 x 900/60	1 440 x 900	55.9	59.9	106.5	✓	✓	✓	✓
1600 x 900/50	1 600 x 900	46.4	49.9	96.5	✓	✓	✓	✓
1600 x 900/60	1 600 x 900	55.9	60.0	119.0	✓	✓	✓	✓
1600 x 1200/50	1 600 x 1 200	61.8	49.9	131.5	✓	✓	✓	✓
1600 x 1200/60	1 600 x 1 200	75.0	60.0	162.0	✓	✓	✓	✓
1680 x 1050/50	1 680 x 1 050	54.1	50.0	119.5	✓	✓	✓	✓
1680 x 1050/60	1 680 x 1 050	65.3	60.0	146.3	✓	✓	✓	✓
1920 x 1200/50	1 920 x 1 200	61.8	49.9	158.3	✓	✓	✓	✓
1920 x 1200/60RB	1 920 x 1 200 ^{*3}	74.0	60.0	154.0	✓	✓	✓	✓

*1 The signal with 1/1,001x vertical scanning frequency is also supported.

*2 YPbPr 4:2:0 format only

*3 VESA CVT-RB (Reduced Blanking)-compliant

Note

- A signal with a different resolution is converted to the number of display dots. The number of display dots is 1 920 x 1 200.
- The "i" at the end of the resolution indicates an interlaced signal.
- When interlaced signals are connected, flickering may occur on the projected image.
- When the DIGITAL LINK connection is made with the long-reach communication method, the signal that the projector can receive is up to 1080/60p (1 920 x 1 080 dots, dot clock frequency 148.5 MHz).
- Even if it is the signal listed in the list of compatible signals, it may not be displayed by the projector if the video signal is recorded in a special format.

List of plug and play compatible signals

The following table specifies the video signals compatible with plug and play.

Signal with ✓ in the plug and play compatible signal column is the signal described in the EDID (extended display identification data) of the projector.

For the signal without ✓ in the plug and play compatible signal column, the resolution may not be selected on the computer even if the projector is supporting it.

• Input corresponding to each item in the plug and play signal column is as follows.

-RGB:RGB input -DVI-D:DVI-D input -HDMI:HDMI input -DIGITAL LINK:DIGITAL LINK input

Signal name (SIGNAL FORMAT)	Resolution (Dots)	Scanning freq.		Dot clock freq. (MHz)	Plug and play compatible signal										
		Horizontal (KHz)	Vertical (Hz)		RGB	DVI-D			HDMI			DIGITAL LINK			
						EDID1	EDID2	EDID3	4K/60p	4K/30p	2K	4K/60p	4K/30p	2K	
480/60p	720 x 480	31.5	59.9	27.0	-	✓	-	✓	✓	✓	✓	✓	✓	✓	✓
576/50p	720 x 576	31.3	50.0	27.0	-	✓	-	✓	✓	✓	✓	✓	✓	✓	✓
720/60p	1 280 x 720	45.0	60.0 ^{*1}	74.3	-	✓	-	✓	✓	✓	✓	✓	✓	✓	✓
720/50p	1 280 x 720	37.5	50.0	74.3	-	✓	-	✓	✓	✓	✓	✓	✓	✓	✓
1080/60i	1 920 x 1 080i	33.8	60.0 ^{*1}	74.3	-	✓	-	✓	✓	✓	✓	✓	✓	✓	✓
1080/50i	1 920 x 1 080i	28.1	50.0	74.3	-	✓	-	✓	✓	✓	✓	✓	✓	✓	✓
1080/24p	1 920 x 1 080	27.0	24.0 ^{*1}	74.3	-	✓	-	✓	✓	✓	✓	✓	✓	✓	✓
1080/24sF	1 920 x 1 080i	27.0	48.0 ^{*1}	74.3	-	-	-	-	-	-	-	-	-	-	-
1080/25p	1 920 x 1 080	28.1	25.0	74.3	-	✓	-	✓	✓	✓	✓	✓	✓	✓	✓
1080/30p	1 920 x 1 080	33.8	30.0 ^{*1}	74.3	-	✓	-	✓	✓	✓	✓	✓	✓	✓	✓
1080/60p	1 920 x 1 080	67.5	60.0 ^{*1}	148.5	-	✓	-	✓	✓	✓	✓	✓	✓	✓	✓
1080/50p	1 920 x 1 080	56.3	50.0	148.5	-	✓	-	✓	✓	✓	✓	✓	✓	✓	✓
3840 x 2160/24p	3 840 x 2 160	54.0	24.0 ^{*1}	297.0	-	-	-	-	✓	✓	-	✓	✓	-	-
3840 x 2160/25p	3 840 x 2 160	56.3	25.0	297.0	-	-	-	-	✓	✓	-	✓	✓	-	-
3840 x 2160/30p	3 840 x 2 160	67.5	30.0 ^{*1}	297.0	-	-	-	-	✓	✓	-	✓	✓	-	-
3840 x 2160/60p	3 840 x 2 160	135.0	60.0 ^{*1}	297.0	-	-	-	-	✓ ^{*2}	-	-	✓ ^{*2}	-	-	-
	3 840 x 2 160	135.0	60.0 ^{*1}	594.0	-	-	-	-	✓	-	-	-	-	-	-
3840 x 2160/50p	3 840 x 2 160	112.5	50.0	297.0	-	-	-	-	✓ ^{*2}	-	-	✓ ^{*2}	-	-	-
	3 840 x 2 160	112.5	50.0	594.0	-	-	-	-	✓	-	-	-	-	-	-
4096 x 2160/24p	4 096 x 2 160	54.0	24.0 ^{*1}	297.0	-	-	-	-	✓	✓	-	✓	✓	-	-
4096 x 2160/25p	4 096 x 2 160	56.3	25.0	297.0	-	-	-	-	✓	✓	-	✓	✓	-	-
4096 x 2160/30p	4 096 x 2 160	67.5	30.0 ^{*1}	297.0	-	-	-	-	✓	✓	-	✓	✓	-	-
4096 x 2160/60p	4 096 x 2 160	135.0	60.0 ^{*1}	297.0	-	-	-	-	✓ ^{*2}	-	-	✓ ^{*2}	-	-	-
	4 096 x 2 160	135.0	60.0 ^{*1}	594.0	-	-	-	-	✓	-	-	-	-	-	-
4096 x 2160/50p	4 096 x 2 160	112.5	50.0	297.0	-	-	-	-	✓ ^{*2}	-	-	✓ ^{*2}	-	-	-
	4 096 x 2 160	112.5	50.0	594.0	-	-	-	-	✓	-	-	-	-	-	-
640 x 480/60	640 x 480	31.5	59.9	25.2	✓	✓	✓	✓	✓	✓	✓	✓	✓	✓	✓
1024 x 768/50	1 024 x 768	39.6	50.0	51.9	-	-	-	-	-	-	-	-	-	-	-
1024 x 768/60	1 024 x 768	48.4	60.0	65.0	✓	✓	✓	✓	✓	✓	✓	✓	✓	✓	✓
1280 x 800/50	1 280 x 800	41.3	50.0	68.0	-	-	-	-	-	-	-	-	-	-	-
1280 x 800/60	1 280 x 800	49.7	59.8	83.5	-	-	-	-	-	-	-	-	-	-	-
1280 x 1024/50	1 280 x 1 024	52.4	50.0	88.0	-	-	-	-	-	-	-	-	-	-	-
1280 x 1024/60	1 280 x 1 024	64.0	60.0	108.0	-	-	-	-	-	-	-	-	-	-	-
1366 x 768/50	1 366 x 768	39.6	49.9	69.0	-	-	-	-	-	-	-	-	-	-	-
1366 x 768/60	1 366 x 768	47.7	59.8	85.5	-	-	-	-	-	-	-	-	-	-	-
1400 x 1050/50	1 400 x 1 050	54.1	50.0	99.9	-	-	-	-	-	-	-	-	-	-	-
1400 x 1050/60	1 400 x 1 050	65.2	60.0	122.6	✓	-	✓	✓	✓	✓	✓	✓	✓	✓	✓
1440 x 900/50	1 440 x 900	46.3	49.9	86.8	-	-	-	-	-	-	-	-	-	-	-
1440 x 900/60	1 440 x 900	55.9	59.9	106.5	-	-	-	-	-	-	-	-	-	-	-
1600 x 900/50	1 600 x 900	46.4	49.9	96.5	-	-	-	-	-	-	-	-	-	-	-
1600 x 900/60	1 600 x 900	55.9	60.0	119.0	✓	-	✓	✓	✓	✓	✓	✓	✓	✓	✓
1600 x 1200/50	1 600 x 1 200	61.8	49.9	131.5	-	-	-	-	-	-	-	-	-	-	-
1600 x 1200/60	1 600 x 1 200	75.0	60.0	162.0	✓	-	✓	✓	✓	✓	✓	✓	✓	✓	✓
1680 x 1050/50	1 680 x 1 050	54.1	50.0	119.5	-	-	-	-	-	-	-	-	-	-	-
1680 x 1050/60	1 680 x 1 050	65.3	60.0	146.3	-	-	-	-	-	-	-	-	-	-	-
1920 x 1200/50	1 920 x 1 200	61.8	49.9	158.3	-	-	-	-	-	-	-	-	-	-	-
1920 x 1200/60RB	1 920 x 1 200 ^{*3}	74.0	60.0	154.0	✓	-	✓	✓	✓	✓	✓	✓	✓	✓	✓

*1 The signal with 1/1.001x vertical scanning frequency is also supported.

*2 YPbPr 4:2:0 format only

*3 VESA CVT-RB (Reduced Blanking)-compliant

Note

- A signal with a different resolution is converted to the number of display dots. The number of display dots is 1 920 x 1 200.
- The "i" at the end of the resolution indicates an interlaced signal.
- When interlaced signals are connected, flickering may occur on the projected image.
- When the DIGITAL LINK connection is made with the long-reach communication method, the signal that the projector can receive is up to 1080/60p (1 920 x 1 080 dots, dot clock frequency 148.5 MHz).
- Even if it is the signal listed in the list of compatible signals, it may not be displayed by the projector if the video signal is recorded in a special format.

List of single link SDI compatible signals

The following table specifies the single link SDI signals that the projector can project.

Signal name (SIGNAL FORMAT)	Resolution (Dots)	Scanning freq.		Dot clock freq. (MHz)	Format	Color format	Sampling
		Horizontal (kHz)	Vertical (Hz)				
720/60p	1 280 x 720	45.0	60.0 ^{*1}	74.3	HD-SDI	YPbPr	4:2:2 10bit
720/50p	1 280 x 720	37.5	50.0	74.3	HD-SDI	YPbPr	4:2:2 10bit
1080/60i	1 920 x 1 080i	33.8	60.0 ^{*1}	74.3	HD-SDI	YPbPr	4:2:2 10bit
	1 920 x 1 080i	33.8	60.0 ^{*1}	74.3	3G-SDI Level-A	RGB	4:4:4 10bit
	1 920 x 1 080i	33.8	60.0 ^{*1}	74.3	3G-SDI Level-B	RGB	4:4:4 10bit
	1 920 x 1 080i	33.8	60.0 ^{*1}	74.3	3G-SDI Level-A	RGB	4:4:4 12bit
	1 920 x 1 080i	33.8	60.0 ^{*1}	74.3	3G-SDI Level-B	RGB	4:4:4 12bit
1080/50i	1 920 x 1 080i	28.1	50.0	74.3	HD-SDI	YPbPr	4:2:2 10bit
	1 920 x 1 080i	28.1	50.0	74.3	3G-SDI Level-A	RGB	4:4:4 10bit
	1 920 x 1 080i	28.1	50.0	74.3	3G-SDI Level-B	RGB	4:4:4 10bit
	1 920 x 1 080i	28.1	50.0	74.3	3G-SDI Level-A	RGB	4:4:4 12bit
	1 920 x 1 080i	28.1	50.0	74.3	3G-SDI Level-B	RGB	4:4:4 12bit
1080/24p	1 920 x 1 080	27.0	24.0 ^{*1}	74.3	HD-SDI	YPbPr	4:2:2 10bit
	1 920 x 1 080	27.0	24.0 ^{*1}	74.3	3G-SDI Level-A	RGB	4:4:4 10bit
	1 920 x 1 080	27.0	24.0 ^{*1}	74.3	3G-SDI Level-B	RGB	4:4:4 10bit
	1 920 x 1 080	27.0	24.0 ^{*1}	74.3	3G-SDI Level-A	RGB	4:4:4 12bit
	1 920 x 1 080	27.0	24.0 ^{*1}	74.3	3G-SDI Level-B	RGB	4:4:4 12bit
1080/24sF	1 920 x 1 080i	27.0	48.0 ^{*1}	74.3	HD-SDI	YPbPr	4:2:2 10bit
	1 920 x 1 080i	27.0	48.0 ^{*1}	74.3	3G-SDI Level-A	RGB	4:4:4 10bit
	1 920 x 1 080i	27.0	48.0 ^{*1}	74.3	3G-SDI Level-B	RGB	4:4:4 10bit
	1 920 x 1 080i	27.0	48.0 ^{*1}	74.3	3G-SDI Level-A	RGB	4:4:4 12bit
	1 920 x 1 080i	27.0	48.0 ^{*1}	74.3	3G-SDI Level-B	RGB	4:4:4 12bit
1080/25p	1 920 x 1 080	28.1	25.0	74.3	HD-SDI	YPbPr	4:2:2 10bit
	1 920 x 1 080	28.1	25.0	74.3	3G-SDI Level-A	RGB	4:4:4 10bit
	1 920 x 1 080	28.1	25.0	74.3	3G-SDI Level-B	RGB	4:4:4 10bit
	1 920 x 1 080	28.1	25.0	74.3	3G-SDI Level-A	RGB	4:4:4 12bit
	1 920 x 1 080	28.1	25.0	74.3	3G-SDI Level-B	RGB	4:4:4 12bit
1080/30p	1 920 x 1 080	33.8	30.0 ^{*1}	74.3	HD-SDI	YPbPr	4:2:2 10bit
	1 920 x 1 080	33.8	30.0 ^{*1}	74.3	3G-SDI Level-A	RGB	4:4:4 10bit
	1 920 x 1 080	33.8	30.0 ^{*1}	74.3	3G-SDI Level-B	RGB	4:4:4 10bit
	1 920 x 1 080	33.8	30.0 ^{*1}	74.3	3G-SDI Level-A	RGB	4:4:4 12bit
	1 920 x 1 080	33.8	30.0 ^{*1}	74.3	3G-SDI Level-B	RGB	4:4:4 12bit
1080/60p	1 920 x 1 080	67.5	60.0 ^{*1}	148.5	3G-SDI Level-A	YPbPr	4:2:2 10bit
	1 920 x 1 080	67.5	60.0 ^{*1}	148.5	3G-SDI Level-B	YPbPr	4:2:2 10bit
1080/50p	1 920 x 1 080	56.3	50.0	148.5	3G-SDI Level-A	YPbPr	4:2:2 10bit
	1 920 x 1 080	56.3	50.0	148.5	3G-SDI Level-B	YPbPr	4:2:2 10bit
2K/24p	2 048 x 1 080	27.0	24.0 ^{*1}	74.3	3G-SDI Level-A	RGB	4:4:4 10bit
	2 048 x 1 080	27.0	24.0 ^{*1}	74.3	3G-SDI Level-B	RGB	4:4:4 10bit
	2 048 x 1 080	27.0	24.0 ^{*1}	74.3	3G-SDI Level-A	RGB	4:4:4 12bit
	2 048 x 1 080	27.0	24.0 ^{*1}	74.3	3G-SDI Level-B	RGB	4:4:4 12bit
2K/25p	2 048 x 1 080	28.1	25.0	74.3	3G-SDI Level-A	RGB	4:4:4 10bit
	2 048 x 1 080	28.1	25.0	74.3	3G-SDI Level-B	RGB	4:4:4 10bit
	2 048 x 1 080	28.1	25.0	74.3	3G-SDI Level-A	RGB	4:4:4 12bit
	2 048 x 1 080	28.1	25.0	74.3	3G-SDI Level-B	RGB	4:4:4 12bit
2K/30p	2 048 x 1 080	33.8	30.0 ^{*1}	74.3	3G-SDI Level-A	RGB	4:4:4 10bit
	2 048 x 1 080	33.8	30.0 ^{*1}	74.3	3G-SDI Level-B	RGB	4:4:4 10bit
	2 048 x 1 080	33.8	30.0 ^{*1}	74.3	3G-SDI Level-A	RGB	4:4:4 12bit
	2 048 x 1 080	33.8	30.0 ^{*1}	74.3	3G-SDI Level-B	RGB	4:4:4 12bit
2K/48p	2 048 x 1 080	54.0	48.0 ^{*1}	148.5	3G-SDI Level-A	YPbPr	4:2:2 10bit
	2 048 x 1 080	54.0	48.0 ^{*1}	148.5	3G-SDI Level-B	YPbPr	4:2:2 10bit
2K/50p	2 048 x 1 080	56.3	50.0	148.5	3G-SDI Level-A	YPbPr	4:2:2 10bit
	2 048 x 1 080	56.3	50.0	148.5	3G-SDI Level-B	YPbPr	4:2:2 10bit
2K/60p	2 048 x 1 080	67.5	60.0 ^{*1}	148.5	3G-SDI Level-A	YPbPr	4:2:2 10bit
	2 048 x 1 080	67.5	60.0 ^{*1}	148.5	3G-SDI Level-B	YPbPr	4:2:2 10bit

*1 The signal with 1/1.001x vertical scanning frequency is also supported.