

DS-D6122TH-B/C Classroom Information Release Screen



- 1920 × 1080P@60 Hz full HD, 10-point capacitive touch, and 8-millisecond rapid response
- 27-millimeter-thick body with anti-glare toughened glass, preventing strong light interference and violent destruction
- Built-in light sensor module helps automatically adjust screen brightness to match surrounding lighting conditions, displaying clear pictures with energy saved
- Built-in 2 MP WDR camera captures clear images when facing against the light
- Recognize up to 5 persons in one second, meeting the requirements of quick attendance check for elective class
- Built-in omnidirectional microphone picks up sound within a radius of at least one meter
- Control access control devices through Wiegand protocol, and door locks with relays
- Built-in 13.56 MHz RFID card-swiping module with high response speed, compatible with the standard card of type A and B



▪ Specification

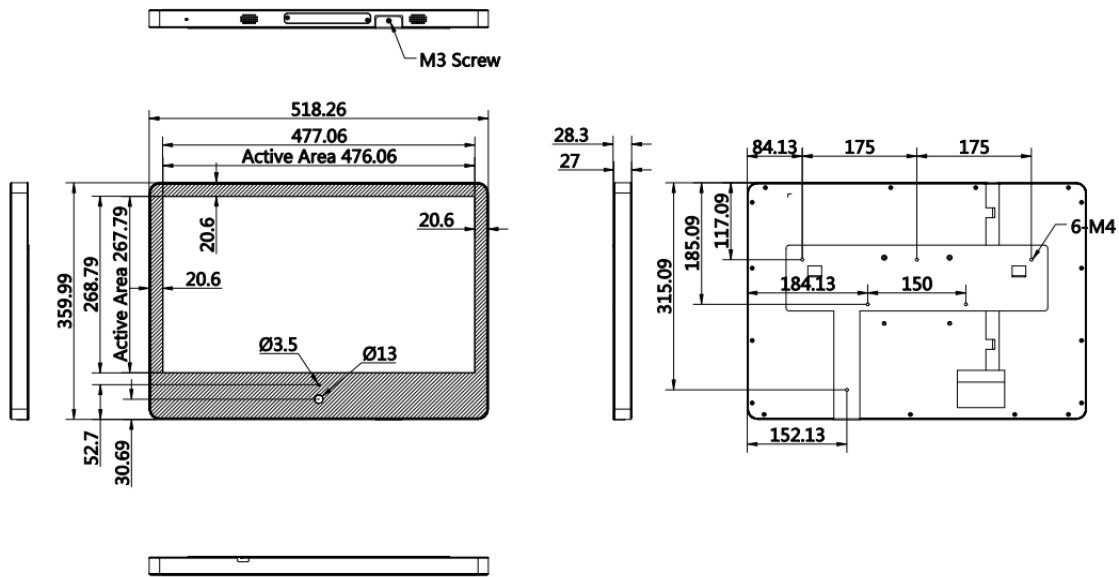
Model		DS-D6122TH-B/C
Product Model	Product Model	DS-D6122TH-B/C
Display	Viewing Angle	178°(V)/178°(H)
	Screen Size	21.5 inch
	Active Display Area	476.06 mm (H) × 267.79 mm (V)
	Backlight	TFT-LCD
	Resolution	1920 × 1080
	Brightness	600 cd/m ²
	Color Depth	8 bit
	Contrast Ratio	≥ 1000:1
	Response Time	≤ 14 ms
	Color Gamut	72%
	Reliability	7 × 16 h
Built-in System	Operation System	Android 6.0.1
	CPU	Cortex-A17, 4 Cores, 1.6 GHz
	Memory	2 GB
	Built-in Storage	16 GB EMMC
Smart	Lens	2 MP WDR Camera
	Face Database	20,000 pictures, JPG format allowed
	Face Detection Distance	Up to 5 m (196.86") 0.3 m to 1.5 m (11.81" to 59.06") recommended Adjustable through software
	Face Verification Accuracy	> 99%
	Face Verification Time	≤ 0.5 s/person
Touch	Touch Type	Capacitive touch
	Glass	3 mm anti-glare toughened glass
	Touch Point	10
Interface	Network Interface	LAN × 1, built-in Wi-Fi
	Data Transmission Interface	USB 2.0 × 2, BT 4.0 × 1, Card-swiping for IC card, Access control linkage
Internal Function	Loudspeaker	Built-in Speaker × 2
Power	Standby Consumption	≤ 0.5 W
	Power Consumption	≤ 40 W
Working Environment	Working Temperature	0 °C to 40 °C (30 °F to 104 °F)
	Working Humidity	10% to 90%
General	Product Dimensions (W × H × D)	518.26 mm × 359.99 mm × 27 mm (20.40" × 14.17" × 1.06") (without wall-mounted backboard)

		518.26 mm × 359.99 mm × 28.3 mm (20.40" × 14.17" × 1.11") (with wall-mounted backboard)
	Package Dimensions (W × H × D)	660 mm × 584 mm × 113 mm (25.98" × 22.99" × 4.45")
	Net Weight	7.18 kg (15.83 lb)
	Gross Weight	8.32 kg (18.34 lb)
	Packing List	21.5-inch digital signage × 1, L-shaped T10 wrench × 1, power cord × 1, power adapter × 1, torx screw for security × 2, package of mounting bolts × 2, quick start guide × 1

▪ **Available Model**

DS-D6122TH-B/C

▪ **Dimension**



Distributed by



HIKVISION®

Headquarters

No.555 Qianmo Road, Binjiang District,
Hangzhou 310051, China
T +86-571-8807-5998
overseasbusiness@hikvision.com

Hikvision USA
T +1-909-895-0400
sales.usa@hikvision.com

Hikvision Australia
T +61-2-8599-4233
salesau@hikvision.com

Hikvision India
T +91-22-28469900
sales@pramahikvision.com

Hikvision Canada
T +1-866-200-6690
sales.canada@hikvision.com

Hikvision Thailand
T +662-275-9949
sales.thailand@hikvision.com

Hikvision Europe
T +31-23-5542770
sales.eu@hikvision.com

Hikvision Italy
T +39-0438-6902
info.it@hikvision.com

Hikvision Brazil
T +55 11 3318-0050
Latam.support@hikvision.com

Hikvision Turkey
T +90 (216)521 7070- 7074
sales.tr@hikvision.com

Hikvision Malaysia
T +601-7652-2413
sales.my@hikvision.com

Hikvision UK & Ireland
T +01628-902140
sales.uk@hikvision.com

Hikvision South Africa
Tel: +27 (10) 0351172
sale.africa@hikvision.com

Hikvision France
T +33(0)1-85-330-450
info.fr@hikvision.com

Hikvision Kazakhstan
T +7-727-9730667
nikia.panfilov@hikvision.ru

Hikvision Vietnam
T +84-974270888
sales.vt@hikvision.com

Hikvision UAE
T +971-4-4432090
salesme@hikvision.com

Hikvision Singapore
T +65-6684-4718
sg@hikvision.com

Hikvision Spain
T +34-91-737-16-55
info.es@hikvision.com

Hikvision Tashkent
T +99-87-1238-9438
uzb@hikvision.ru

Hikvision Hong Kong
T +852-2151-1761
info.hk@hikvision.com

Hikvision Russia
T +7-495-669-67-99
saleru@hikvision.com

Hikvision Korea
T +82-(0)31-731-8817
sales.korea@hikvision.com

Hikvision Poland
T +48-22-460-01-50
info.pl@hikvision.com

Hikvision Indonesia
T +62-21-2933759
Sales.Indonesia@hikvision.com

Hikvision Colombia
sales.colombia@hikvision.com