



Ceiling Mount Bracket Operating Instructions

Model No. **WV-Q156C**
WV-Q156CE
WV-Q156S
WV-Q156SE

Before attempting to connect or operate this product, please read these instructions carefully and save this manual for future use.

The model number is abbreviated in some descriptions in this manual.

Ns1010-3012 3TR006654DZA Printed in China

Preface

This ceiling mount bracket is exclusively designed to mount the network camera. Refer to the catalog or the installation guide of the camera for supported cameras.

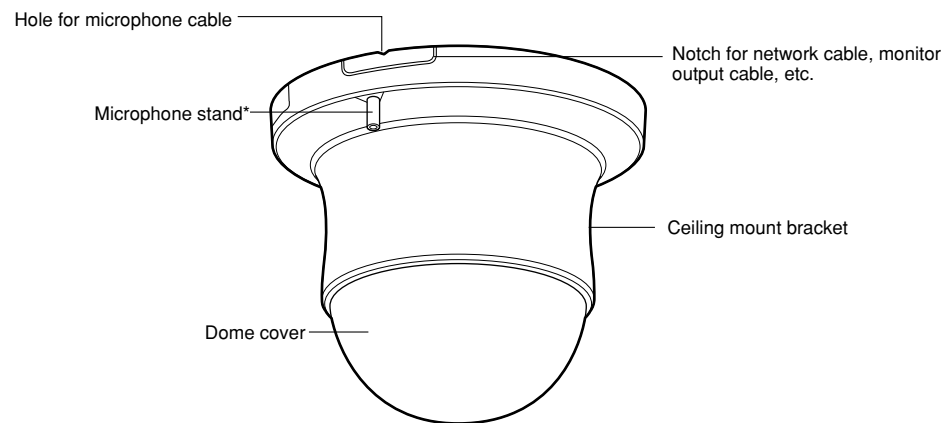
The network camera shall be mounted on this bracket after mounting this bracket on a ceiling.

- WV-Q156C: Clear dome cover
- WV-Q156S: Smoked dome cover (approx. 50 % of transmittance)

Precautions

- **Refer installation work to the dealer.**
Installation work requires technique and experiences. Failure to observe this may cause fire, electric shock, injury, or damage to the product. Be sure to consult the dealer.
- **Avoid installing this bracket in the locations where salt damage occurs or corrosive gas is produced.**
Otherwise, the mounting portions will deteriorate and accidents such as a fall of the camera may occur.
- **Use only the specified camera.**
Failure to observe this may cause a fall of an inappropriate camera resulting in injury or accidents. Refer to the catalog or the installation guide of the camera for supported cameras.
- **The screws and fixation mechanisms shall be tightened securely.**
Failure to observe this may cause a fall of the camera resulting in injury or accidents.
- **The measures of protection against a fall of the camera shall be taken.**
Failure to observe this may cause injury. Be sure to install this bracket-specific safety wire.
- **Select an installation area that can support the total weight.**
If a selected area is too weak to support the total weight, a fall of the product may occur resulting in injury. Installation work shall be started after sufficient reinforcement.
- **Periodic inspections shall be conducted.**
Rust on the metal parts or screws may cause a fall of the product resulting in injury. Consult the dealer for the inspections.
- **Do not rub the edges of metal parts with your hand.**
Failure to observe this may cause injury.
- Make sure that the installation area is strong enough to hold the total weight of the camera assembly (approx. 1.2 kg {2.6 lbs.}) before installation.
- If a ceiling board such as plaster board is too weak to support the total weight, the area shall be sufficiently reinforced or the optional direct ceiling mount bracket for the camera, WV-Q105, shall be used.
- Procure 4 screws (M4 or M6) securing the camera mounting bracket (supplied with the camera) according to the material of the installation area. In this case, wood screws and nails should not be used.
For mounting a camera on a concrete wall, use an anchor bolt (for M6) for securing.
(Recommended tightening torque M6: 5.0 N·m {51 kgf·cm})
- Avoid installing in the following locations.
 - Locations where it may get wet from rain or water splash (not only outdoor)
 - Locations where a chemical agent is used such as a swimming pool
 - Locations subject to steam and oil smoke such as a kitchen
 - Locations where radiation or x-ray emissions are produced
 - Locations where it may be damaged by briny air such as seashores
 - Locations where the temperature is not within -10 °C - +50 °C {14 °F- 122 °F}.
 - Locations subject to vibrations (This product is not designed for on-vehicle use.)
 - Locations where the temperature may rapidly change such as the peripheral areas of the air outlets of air conditioners or doors facing outside. (In case of installing the camera in such locations, the dome cover may become foggy or condensation may be caused on the cover.)
- The screws and bolts must be tightened with an appropriate tightening torque according to the material and strength of the installation area. After tightening the screws or bolts, perform visual check to ensure tightening is enough and there is no backlash.
- The pull-out strength of the installation area shall be 196 N {20 kgf} or more per 1 screw.
- The protection sheet attached to the dome cover shall be peeled off after installation.

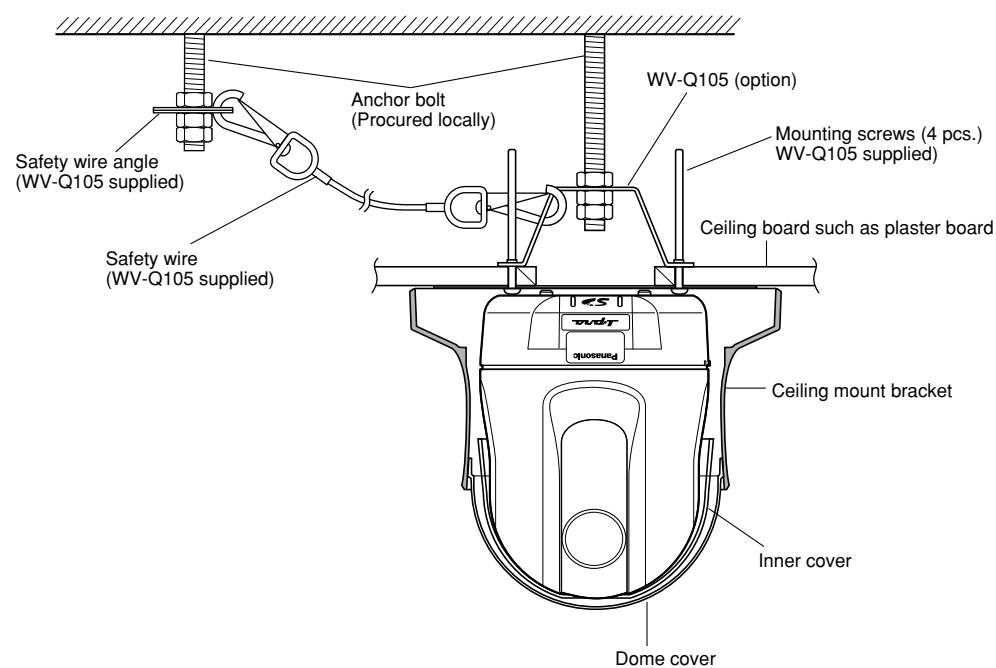
Major Operating Controls and Their Functions



Note:

- Remove the notch with a nipper.
- If a microphone is used, mount the microphone on the rubber-made microphone stand. Unless the microphone is used, cut the rubber with a nipper or conduct another treatment.

<For using the direct ceiling mount bracket for the camera, WV-Q105>



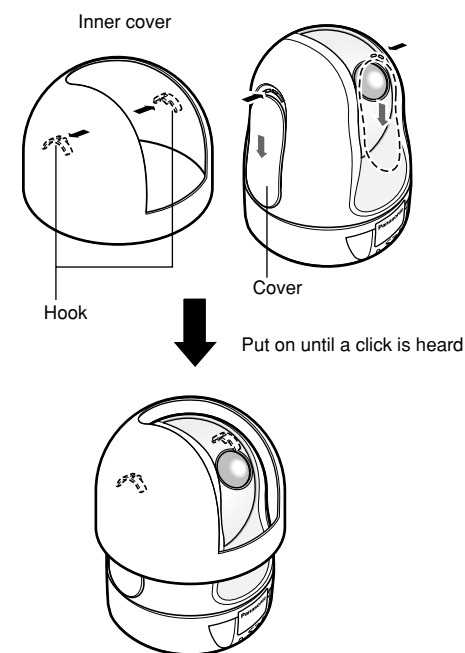
Installations

Be sure to read "Precautions" before installation. The Installation Guide of the network camera shall be read as well.

1. Install the inner cover.

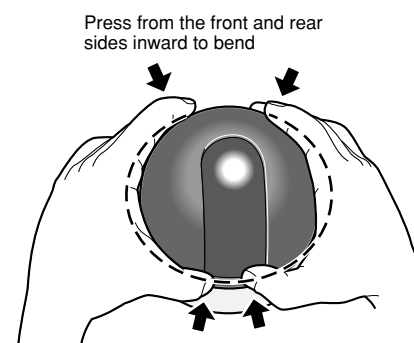
Slide the covers located on the both lateral sides of the camera and put the inner cover on the camera until the hooks inside the inner cover are held in the holes of the camera (until a click is heard).

Important: Put the inner cover down on the camera until the outside cover of the camera cannot be seen from the opening (from which the camera lens is visible) of the inner cover. If this integration is not successfully performed, the inner cover may be removed or the hidden part at the top of the screen may become larger in the WIDE mode.



How to remove the inner cover

Press the inner cover from the front and rear sides inward (at the same vertical position as the hooks) to bend the cover and remove the cover from the camera.



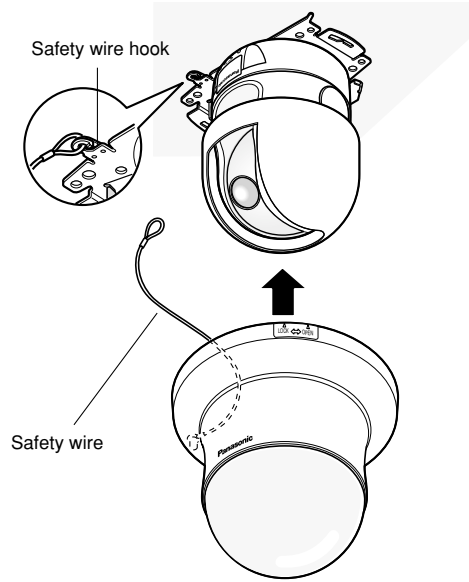
Installations (continued)

2. Mount the camera.

The camera shall be mounted on the camera mounting bracket (supplied with the camera) after mounting this bracket on a ceiling.
For further information, refer to the Installation Guide of the network camera.

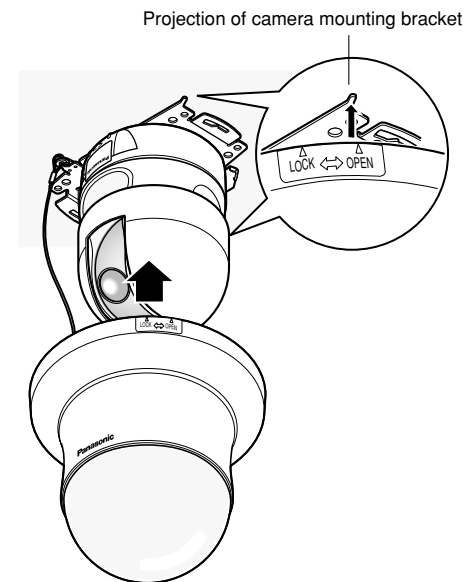
3. Install this bracket.

- Connect the safety wire locked on this bracket to the safety wire hook. Make sure that the apical ring of the safety wire is engaged with the safety wire hook of the camera by pulling the safety wire after connection.



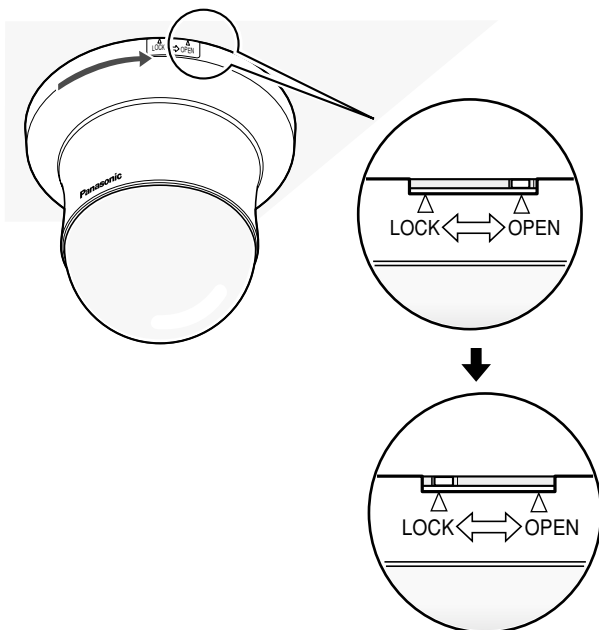
- Mount this bracket on the camera with aligning the projection of the camera mounting bracket with "OPEN" of this bracket.

Important: Use caution not to catch the cables.



- Turn this bracket clockwise until the projection of the camera mounting bracket aligns with "LOCK" of this bracket.

Note: Set in the projection of the bracket to the "LOCK" of both right and left side of the cover.



Note: When the camera is pointed in the horizontal direction, the upper side of the screen is hidden. Refer to the Operating Instructions (PDF) of network camera for further information.

Specifications

Ambient temperature:	-10 °C to +50 °C {14 °F to 122 °F}
Dimensions:	185 mm {7-5/16 inches} in diameter x 163 mm {6-7/16 inches} in height
Mass:	Approx. 230 g {0.51 lbs}
Finish:	Main body: ABS resin with silver metallic coating Dome cover: Acrylic resin

Standard Accessories

Operating Instructions (this book) 1 pc.

The following are for installation.

Inner cover 1 pc.

For U.S. and Canada:

**Panasonic System Communications
Company of North America,
Unit of Panasonic Corporation
of North America**
www.panasonic.com/business/
For customer support, call 1.800.528.6747
Three Panasonic Way, Secaucus, New Jersey 07094 U.S.A.

Panasonic Canada Inc.
5770 Ambler Drive, Mississauga, Ontario, L4W 2T3 Canada
(905)624-5010
www.panasonic.ca

For Europe and other countries:

Panasonic Corporation
http://panasonic.net

Importer's name and address to follow EU rules:

Panasonic Testing Centre
Panasonic Marketing Europe GmbH
Winsbergring 15, 22525 Hamburg F.R.Germany