

Instructions

Rack Mount Bracket

Before attempting to mount this product, please read these instructions carefully and save this manual for future use.

Model Nos. **WV-Q204/1S**
WV-Q204/2S

These Rack Mounting Brackets are used for mounting such as the WJ-NT304, etc.

INSTALLATIONS

The installation described below should be made by qualified service personnel or system installers.

Important: Recommended tightening torque is M3: 0.78 N·m (8 kgf·cm).

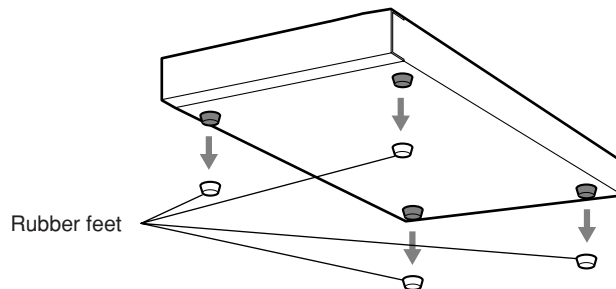
■ Mounting in a Rack

WV-Q204/1S can mount the WJ-NT304 on the rack.

WV-Q204/2S can mount side by side up to two WJ-NT304S on the rack.

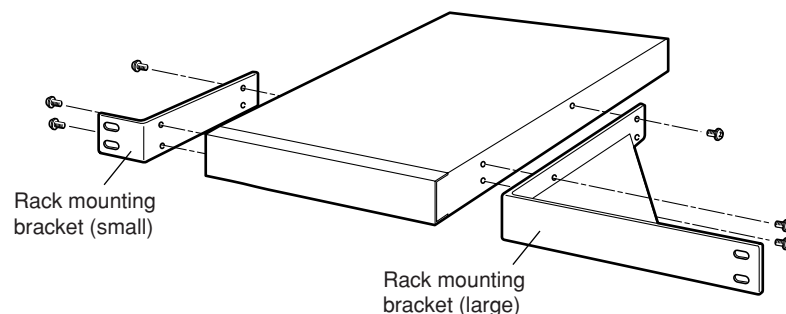
Illustrations as shown below are examples to install WJ-NT304 and WJ-NT304S.

1. Remove the four rubber feet from the bottom of the WJ-NT304.



● Mounting one WJ-NT304 with the WV-Q204/1S

2. Fix the mounting brackets (large and small) on both sides of the WJ-NT304 with the eight supplied screws (M3x8) as shown below.

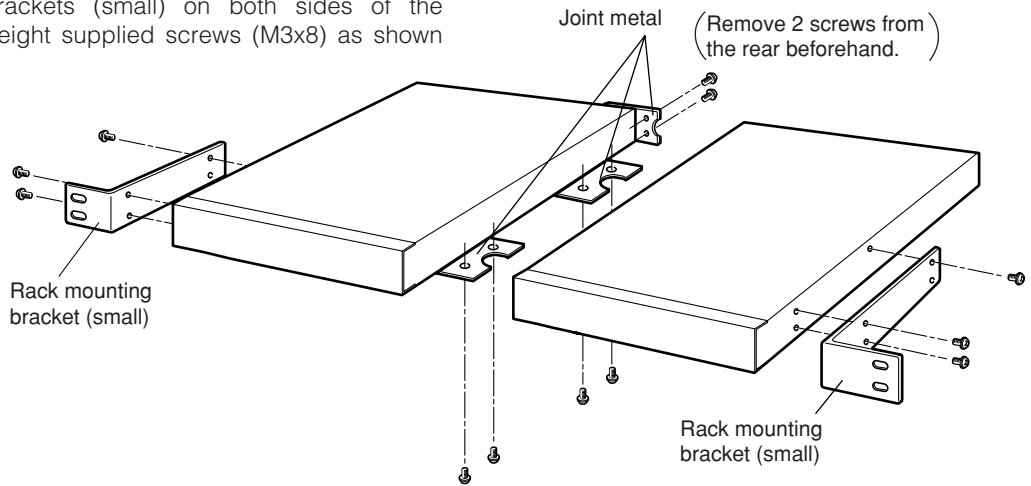


● **Mounting two WJ-NT304 with the WV-Q204/2S**

2. Place the joint metals on the WJ-NT304S as shown below and fix them with the supplied screws (M3x6)

Note: Remove two screws from the rear of the WJ-NT304 beforehand.

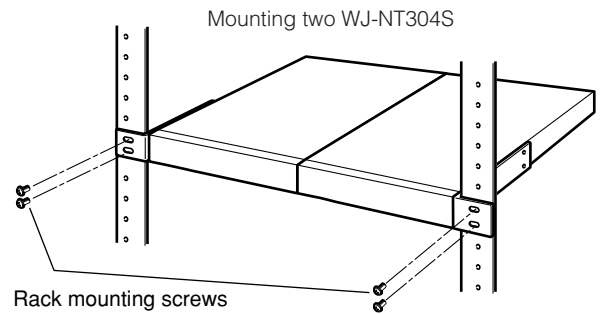
Fix the mounting brackets (small) on both sides of the WJ-NT304S with the eight supplied screws (M3x8) as shown below.



3. Install the WJ-NT304S with the rack mounting brackets in the rack by using four screws (not included).

Cautions:

- Do not block the ventilation opening or slots in the cover to prevent the appliance from overheating. Always keep the temperature in the rack within +45°C (113°F).
- Secure the rear of the appliance to the rack by using additional mounting brackets (procured locally) if the rack is subject to vibration.



STANDARD ACCESSORIES

WV-Q204/1S: Mount Screw
Binding head (M3 x 8) 8 pcs.

WV-Q204/2S: Mount Screw
Binding head (M3 x 8) 8 pcs.
Flat head (M3 x 6) 12 pcs.

Specifications are subject to change without notice.

For further informations, refer to Operating Instructions of System Unit.

When install the unit except CCTV system unit, use supplied tapping screws.

For U.S., Canadian and Puerto Rican fields:

Panasonic System Solutions Company,
Unit Company of Panasonic Corporation of North America
Security Systems
www.panasonic.com/security
For customer support, call 1.877.733.3689
Executive Office: Three Panasonic Way 2H-2, Secaucus, New Jersey 07094
Zone Office
Eastern: Three Panasonic Way, Secaucus, New Jersey 07094
Central: 1707 N. Randal Road, Elgin, IL 60123
Southern: 1225 Northbrook Parkway, Suwanee, GA 30024
Western: 6550 Katella Ave., Cypress, CA 90630

Panasonic Canada Inc.
5770 Ambler Drive, Mississauga,
Ontario, L4W 2T3 Canada (905)624-5010
http://www.panasonic.ca

Panasonic Sales Company
Division of Panasonic Puerto Rico Inc.
San Gabriel Industrial Park 65th Infantry Ave. KM. 9.5 Carolina
P.R. 00985(809)750-4300

For European and other fields:

Matsushita Electric Industrial Co., Ltd.
Osaka, Japan
http://panasonic.net