



WV-CF132N1E



WV-CF132T1E



## Compact size Camera for ATM with advanced features

### Key Features

- High resolution: 650 TV lines
- High sensitivity with Day/Night(Electrical) function: 0.04 lx (Color), 0.02 lx, (B/W) at F1.2.
- ABS (Adaptive Black Stretch) enhances visibility of dark area without degrading image quality in bright area.
- 3.6 mm fixed iris lens (WV-CF132N1E).
- 3.7 mm pinhole fixed iris lens (WV-CF132T1E).
- Wide coverage  
(WV-CF132N1E: Horizontal: 73°/ Vertical: 57°/ Opposite angle: 98°, WV-CF132T1E: Horizontal: 77.5°/ Vertical: 55°/ Opposite angle: 98°)
- Electronic shutter from 1/50 to 1/120,000 sec.
- 16 axis matrix color compensation function enables wider range of natural color adjustment.
- Adaptive Digital Noise Reduction: Integration of 2D-DNR and 3D-DNR ensures noise reduction in various conditions.
- Electronic sensitivity enhancement: Auto (Up to 4x)
- Internal synchronization
- Lens Distortion Correction
- Wide Ambient Operation Temperature: Handles -10 °C to +65 °C

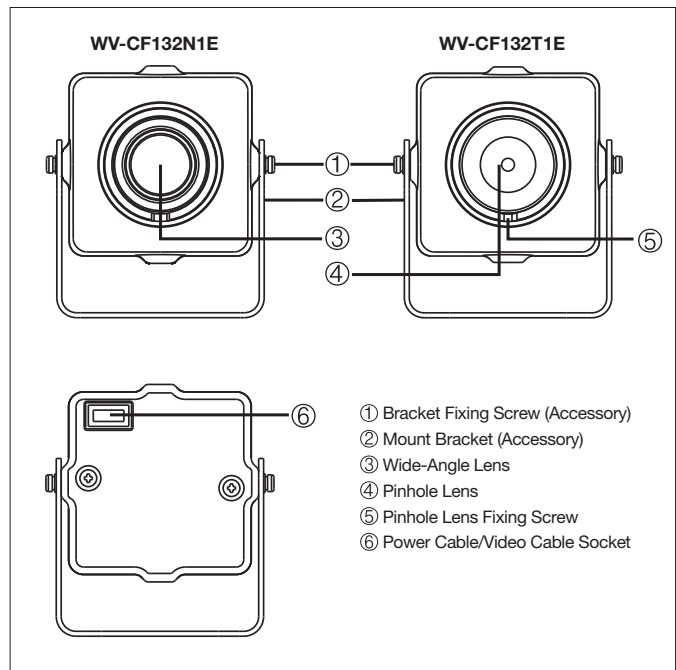
### Standard Accessories

• Installation Guide .....	1 pc.
• Mount bracket .....	1 pc.
• Power cable/Video cable (about 1200 mm) .....	1 pc.
• Bracket fixing screw .....	2 pcs.

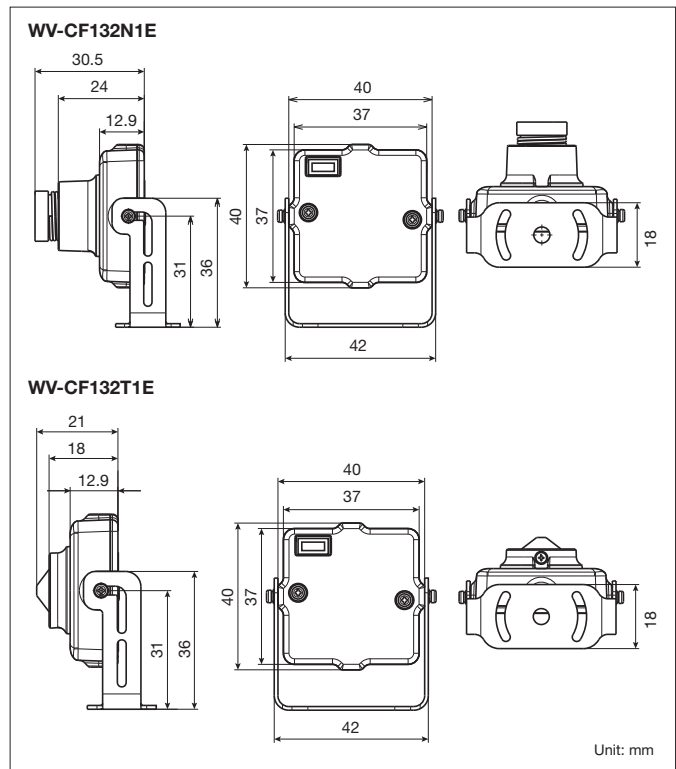
## WV-CF132N1E / WV-CF132T1E Specifications

	WV-CF132N1E	WV-CF132T1E
<b>Camera</b>	Image Sensor	
	1/3 type interline transfer CCD	
	Effective Pixels	
	976 (H) x 582 (V)	
	Scanning Mode	
	Interlaced scanning 2:1	
	Scanning Area	
	4.8 mm (H) x 3.6 mm (V)	
	Scanning Frequency	
	Horizontal : 15.625 kHz Vertical : 50.00 Hz	
	Horizontal Resolution	
	650 TV lines	
	Vertical resolution	
	400TV line	
<b>Lens</b>	Minimum Illumination	
	Color : 0.04 lx (F1.2 equivalence) (color mode)	
	B/W : 0.02 lx (F1.2 equivalence) (black-and-white mode)	
	Noise-signal ratio	
	52 dB (gain control off and weighting on)	
	White Balance	
	ATW (2,700 – 6,000K)	
	Light Control Mode	
	ELC	
	BLC	
	ON	
	ABS	
	ON	
	AGC	
AUTO		
Electronic Sensitivity UP		
AUTO (x4)		
Day & Night (Electrical)		
AUTO		
Digital Noise Reduction		
AUTO		
Lens distortion correction		
ON		
Synchronization		
Internal (INT)		
<b>Input / Output</b>	Focal Length	
	3.6 mm	3.7 mm
	Iris aperture	
	F2.0	F2.5
	Angular Field of View	
Horizontal : 73°	Horizontal : 77.5°	
Vertical : 57°	Vertical : 55°	
Opposite angle : 98°	Opposite angle : 98°	
Adjusting angle		
Tilt angle: 360°		
Video Output		
1.0 V [p-p] / PAL composite 75 Ω		
<b>General</b>	Power Source and Power Consumption	
	12 V DC : 120 mA	
	Ambient Operating Temperature	
	-10 °C ~ +65 °C	
	Ambient Operating Humidity	
Less than 90 % (without condensation)		
Dimensions (excluding the lens)		
40 mm(W) x 40 mm(H) x 24 mm(D)	40 mm(W) x 40 mm(H) x 18 mm(D)	
Mass (approx.)		
38 g	35.5 g	

## Part Names and Functions



## Appearance



### Important

- Safety Precaution: Carefully read the Important Information, Installation Guide and operating instructions before using this product.
- Panasonic cannot be responsible for the performance of the network and/or other manufacturers' products used on the network.

- Masses and dimensions are approximate.
- Specifications are subject to change without notice.

DISTRIBUTED BY:

# Panasonic

<http://security.panasonic.com>

<http://www.facebook.com/PanasonicNetworkCamera>

(2A-125A)