



Super Dynamic Compact size Camera for ATM with advanced features

Key Features

- **Super Dynamic 6** technology delivers 160x wider dynamic range compared to conventional cameras.
- High resolution: 650 TV lines
- High sensitivity with Day/Night(Electrical) function: 0.04 lx (Color), 0.02 lx, (B/W) at F1.2 equivalence, Sens up 4x.
- 3.6 mm fixed iris lens (WV-CF432N1E).
- 3.7 mm pinhole fixed iris lens (WV-CF432T1E).
- Wide coverage
(WV-CF432N1E: Horizontal: 73°/ Vertical: 57°/ Opposite angle: 98°, WV-CF432T1E: Horizontal: 77.5°/ Vertical: 55°/ Opposite angle: 98°)
- Electronic shutter from 1/50 to 1/120,000 sec.
- 16 axis matrix color compensation function enables wider range of natural color adjustment.
- Adaptive Digital Noise Reduction: Integration of 2D-DNR and 3D-DNR ensures noise reduction in various conditions.
- Electronic sensitivity enhancement: Auto (Up to 32x)
- Digital zoom: Up to 2x
- Internal synchronization
- 16 alphanumeric camera title display
- Lens Distortion Correction
- VMD (Video Motion Detection) function allows the camera to detect motion and scene change with the camera. Detection of motion or scene change with the camera can be announced by issuing an alarm signal.
- Wide Ambient Operation Temperature: Handles -10 °C to +65 °C
- On screen display menu

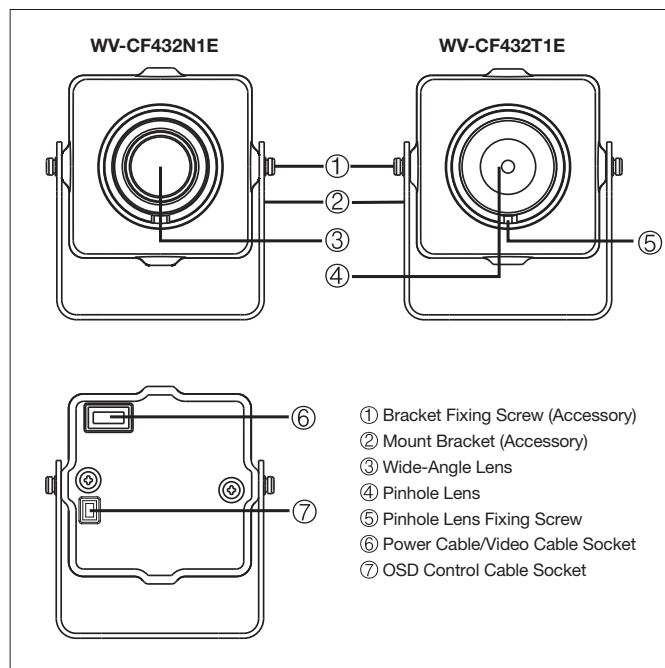
Standard Accessories

| | |
|---|--------|
| • Installation Guide | 1 pc. |
| • Operating Instructions | 1 pc. |
| • Camera Mount bracket | 1 pc. |
| • Power cable/Video cable (about 1200 mm) | 1 pc. |
| • Bracket fixing screw | 2 pcs. |
| • OSD control wire (about 545 mm) | 1 pc. |

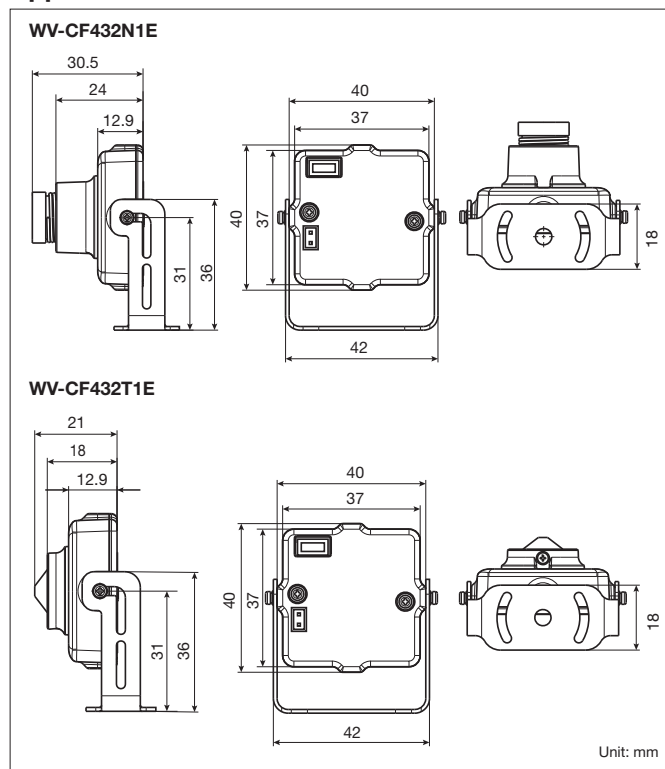
WV-CF432N1E / WV-CF432T1E Specifications

| | WV-CF432N1E | WV-CF432T1E | |
|-----------------------|------------------------------------|--|--|
| Camera | Image Sensor | 1/3 type interline transfer CCD | |
| | Effective Pixels | 976 (H) x 582 (V) | |
| | Scanning Mode | Interlaced scanning 2:1 | |
| | Scanning Area | 4.8 mm (H) x 3.6 mm (V) | |
| | Scanning Frequency | Horizontal : 15.625 kHz Vertical : 50.00 Hz | |
| | Horizontal Resolution | 650 TV lines | |
| | Vertical resolution | 400 TV lines | |
| | Minimum Illumination | Color : 0.04 lx (F1.2 equivalence, Sens up 4x) (color mode) B/W : 0.02 lx (F1.2 equivalence, Sens up 4x) (black-and-white mode) | |
| | Noise-signal ratio | 52 dB (gain control off and weighting on) | |
| | White Balance | AWC (2,000 ~ 10,000 K), ATW1 (2,700 ~ 6,000 K), ATW2 (2,000 ~ 6,000 K) | |
| | Light Control Mode | ELC | |
| | AGC | AUTO (High/Mid/Low), OFF | |
| | Super Dynamic 6 | ON/OFF | |
| | Electronic Sensitivity UP | OFF/AUTO (x2, x4, x6, x10, x16, x32) | |
| | Day & Night (Electrical) | OFF/AUTO | |
| | Digital Noise Reduction | LOW/HIGH | |
| | Scene File | 2 patterns | |
| | Video Motion Detection | OFF / MOTION DET / SCENE CHANGE | |
| | Privacy Zone | ON(1) / ON(2) / OFF | |
| | Lens distortion correction | 0 to 255 | |
| Electronic zoom | ON (2 times at most)/OFF | | |
| UPSIDE-DOWN | ON/OFF | | |
| Camera title | 16 alphanumeric characters | | |
| Synchronization | Internal (INT) | | |
| Lens | Lens | Fixed iris lens | |
| | Focal Length | 3.6 mm | 3.7 mm |
| | Iris aperture | F2.0 | F2.5 |
| | Angular Field of View | Horizontal : 73° Vertical : 57° Opposite angle : 98° | Horizontal : 77.5° Vertical : 55° Opposite angle : 98° |
| | Adjusting angle | Tilt angle : 360° | |
| Input / Output | Video Output | 1.0 V [p-p] / PAL composite 75 Ω | |
| General | Power Source and Power Consumption | 12 V DC : 140 mA | |
| | Ambient Operating Temperature | -10 °C ~ +65 °C | |
| | Ambient Operating Humidity | Less than 90 % (without condensation) | |
| | Dimensions (excluding the lens) | 40 mm(W) x 40 mm(H) x 24 mm(D) | 40 mm(W) x 40 mm(H) x 18 mm(D) |
| | Mass (approx.) | 38 g | 35.5 g |

Part Names and Functions



Appearance



Trademarks and registered trademarks

– "SD6" logo is trademark or registered trademark of Panasonic Corporation.

Important

– Safety Precaution: Carefully read the Important Information, Installation Guide and operating instructions before using this product.
– Panasonic cannot be responsible for the performance of the network and/or other manufacturers' products used on the network.

• Masses and dimensions are approximate.
• Specifications are subject to change without notice.

DISTRIBUTED BY:

Panasonic

<http://security.panasonic.com>

<http://www.facebook.com/PanasonicNetworkCamera>

(2A-124A)