

Panasonic®

Operating Instructions

Included Installation Instructions

Dome Cover

Model No. **WV-CR1S**

Before attempting to connect or install this product, please read these instructions carefully and save this manual for future use.

The model number is abbreviated in some descriptions in this manual.

Precautions

Refer installation work to the dealer.

Installation work requires technique and experience. Failure to observe this may cause fire, electric shock, injury, or damage to the product.

Be sure to consult the dealer.

Mounting procedures

Read the following descriptions together with the Installation Guide of the camera. The WV-SFR631L is used as an example in these descriptions.

Note:

- When a smoke type dome cover is used, the IR LED irradiation distance and the illuminance level for switching between color and monochrome are lower than for a standard clear type dome cover. Check the settings after attaching the enclosure.

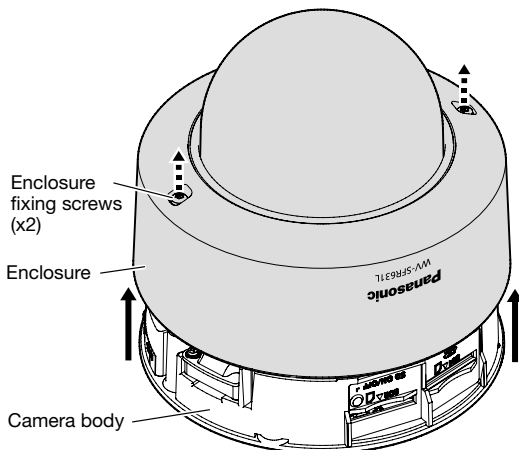
Step1

Remove the enclosure from camera

Use the bit included with the camera to loosen the 2 screws that secure the enclosure, and then remove the enclosure from the camera body.

Note:

- The enclosure is still connected to the camera with the auxiliary wire at this stage.



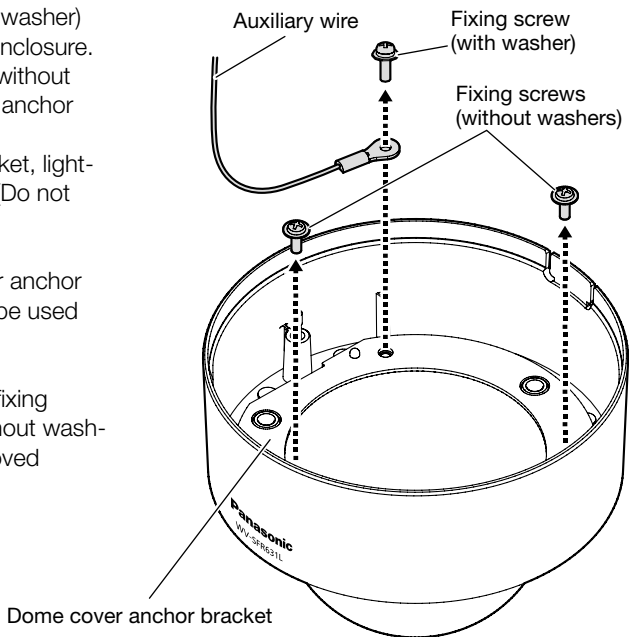
Step2

Remove the auxiliary wire and dome cover

- ① Remove the fixing screw* (1 pc., with washer) that secures the auxiliary wire to the enclosure.
- ② Remove the 2 fixing screws* (2 pcs., without washers) that secure the dome cover anchor bracket to the enclosure.
- ③ Remove the dome cover anchor bracket, light-blocking sheet, and the dome cover. (Do not remove the dome sheet.)

These 3 fixing screws, the dome cover anchor bracket, and light-blocking sheet will be used again in step 3.

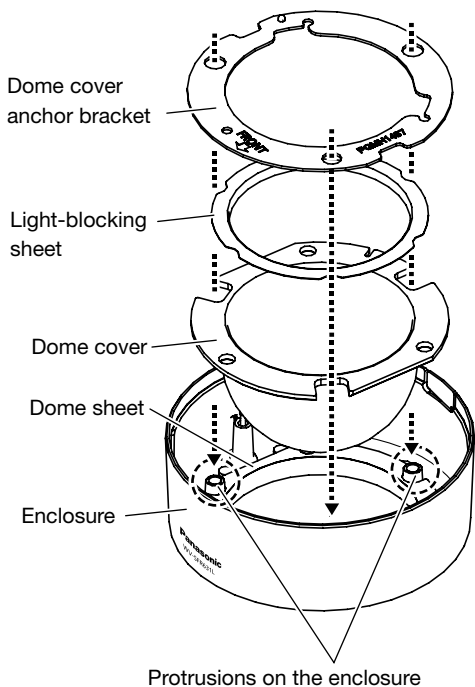
* Depending on the camera used, all 3 fixing screws may be of the same type (without washers). In this case, please use the removed screws.



Step3

Replace the dome cover

- ① Remove the cover film from the outside of the dome cover (WV-CR1S). Keep the removed cover film for future use. (Take care not to damage the outside or inside of the dome cover.)
- ② Attach the dome cover (WV-CR1S) to the enclosure. When attaching, align the 3 holes of the dome cover anchor bracket and 3 notches on the lightblocking sheet and dome cover with the 3 protrusions on the enclosure.
- ③ Using the 2 fixing screws (without washers) that were removed in step 2, secure the dome cover to the enclosure. (Recommended tightening torque: 0.78 N·m {0.58 lbf·ft})
- ④ Attach the cover film removed in ① to the surface of the dome cover.



Step4

Attach the enclosure to the camera

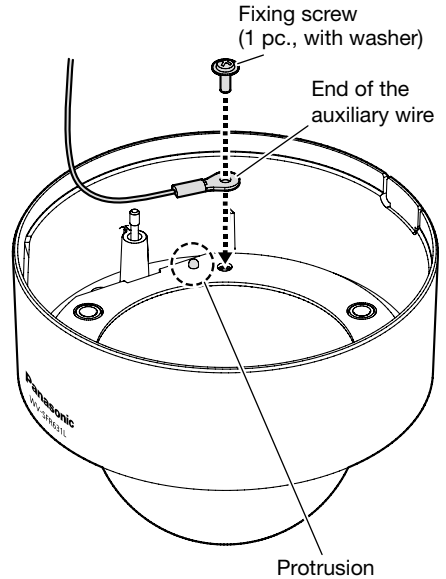
- ① Use the last fixing screw (1 pc., with washer) to secure the auxiliary wire from the camera body to the enclosure. (Recommended tightening torque: 0.78 N·m {0.58 lbf·ft})

Position and secure the flat side of the end of the auxiliary wire to the dome cover anchor bracket with the screw. (Make sure not to position the end of the auxiliary wire above the protrusion.)

- ② Secure the camera to the enclosure with the 2 enclosure fixing screws.

(The recommended tightening torque of the enclosure fixing screws is 0.59 N·m {0.44 lbf·ft})

⇒ Refer to the Installation Guide for more information about installing the camera.



IMPORTANT:

- When the enclosure is attached, the camera's focus may go out of focus. Use the "Auto focus" function in the setup menu to adjust the focus.
- Remove the cover film after installation is complete.
- If there are fingerprints or dirt on the dome cover, wipe it clean with a soft cloth.

Specifications

Ambient operating temperature:	-10 °C to +50 °C {14 °F to 122 °F}
Mass:	Approx. 61.0 g {0.13 lbs}
Dimensions:	Diameter: 108 mm {4-1/4 inches}
	Height : 59.5 mm {2-11/32 inches}
	Diameter of the dome: 41.5 mm {1-5/8 inches}

Standard Accessories

Operating Instructions 1 set

For U.S. and Canada:

**Panasonic System Communications
Company of North America,
Unit of Panasonic Corporation
of North America**

www.panasonic.com/business/
For customer support, call 1.800.528.6747
Two Riverfront Plaza, Newark, NJ 07102-5490

Panasonic Canada Inc.

5770 Ambler Drive, Mississauga,
Ontario, L4W 2T3 Canada
(905)624-5010
www.panasonic.ca

For Europe and other countries:

Panasonic Corporation

<http://panasonic.net>

Importer's name and address to follow EU rules:

Panasonic Testing Centre
Panasonic Marketing Europe GmbH
Winsbergring 15, 22525 Hamburg, Germany