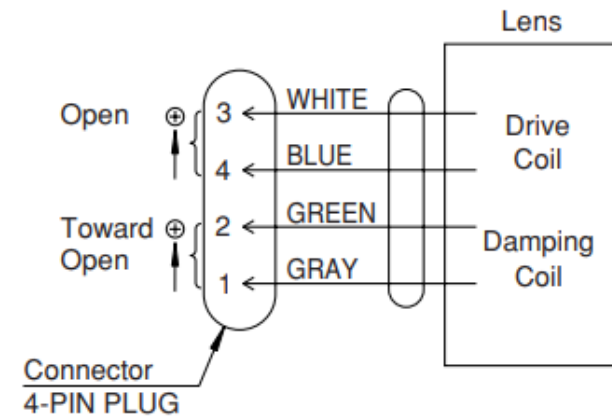


Focal Length (mm)		3.8~13 (3.4×)	
Iris Range		F1.4 ~ T360 (Equivalent to F360)	
Operation	Zoom	Manual	
	Focus	Manual	
	Iris	Auto (DC Type) (*1)	
Angle Of View (H×V)	1/2"	WIDE	97°34' × 71°47'
		TELE	28°23' × 21°18'
	1/3"	WIDE	71°47' × 53°25'
		TELE	21°18' × 15°59'
	1/4"	WIDE	53°15' × 39°41'
		TELE	15°59' × 11°59'
Focusing Range (From Front Of The Lens) (m)		∞ ~ 0.3	
Object Dimensions at M.O.D. (H×V) (mm)	1/2"	WIDE	715 × 452
		TELE	170 × 126
	1/3"	WIDE	452 × 313
		TELE	126 × 94
	1/4"	WIDE	313 × 225
		TELE	94 × 70
Back Focal Distance (in air) (mm)		10.60	
Exit Pupil Position (From Image Plane) (mm)		461	
Filter Thread (mm)		—	
Mount		C	
Mass (g)		80	
Coil Resistance		Drive Coil	190Ω
		Damping Coil	500Ω
Current Consumption		23mA (Max.) at DC 4V	
Remarks	<ul style="list-style-type: none"> • With Metal Mount (*1) When power is turned off, iris will automatically close. DV3.4×3.8SA-SA1L : Long Cable Type (230mm)		

Wiring



[Lens Image]

3.8mm



13mm

