

Product Specifications

PGA181 Side-Address Condenser Microphone

Overview

The PGA181 is a side-address cardioid condenser microphone with a smooth frequency response with highly durable construction that delivers excellent sound. Extremely versatile, the PGA181 is a go-to mic for use with a wide range of applications, including acoustic and amplified instruments, vocals and live rehearsal recording and performance.

Features

- Tailored microphone cartridge design for smooth and versatile reproduction of sound sources
- Cardioid polar pattern picks up audio from the source while rejecting unwanted noise
- Updated industrial design with black metallic finish and grille for unobtrusive visual presence
- Available with and without XLR Cable for flexibility in gear choice
 - With 15 ft (4.6 m) XLR-XLR cable
 - Without cable
- Stand adapter for mounting to a microphone stand
- Zipper pouch included for additional protection during storage or transport
- Legendary Shure quality design and construction for exceptional performance in rigorous environments



PGA 181

Product Specifications

Type	Electret condenser
Frequency Response	50 to 20,000 Hz
Polar Pattern	Cardioid
Output Impedance	120 Ω
Sensitivity <i>at 1 kHz, open circuit voltage</i>	-38 dBV/Pa (12.7 mV) <i>1 Pa=94 dB SPL</i>
Maximum SPL <i>1 kHz at 1% THD, 1 kΩ</i>	138 dB SPL
Polarity	Positive pressure on diaphragm produces positive voltage on pin 2 with respect to pin 3
Weight	383 g (13.5 oz.)
Connector	Three-pin professional audio (XLR), male
Housing	Cast zinc
Power Requirements	48 VDC phantom power (4 mA)

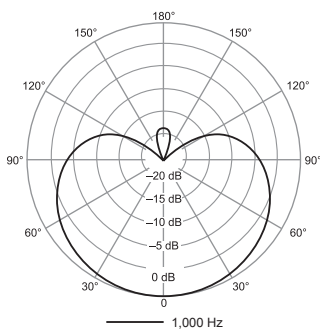
Available SKUs

PGA181-LC	Microphone, clip, stand adapter, and pouch (Less cable)
PGA181-XLR	Microphone, clip, stand adapter, pouch and 15 ft (4.6 m) XLR-to-XLR cable

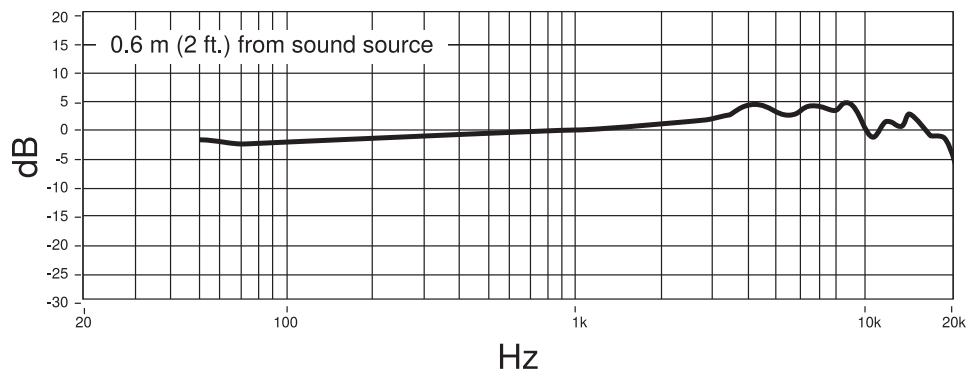
Accessories

WA371	Break-resistant microphone clip
A58WS	Black foam windscreen
31A1856	5/8" to 3/8" thread adapter
C25J	25 ft (7.6 m) XLR-to-XLR cable

Polar Pattern



Frequency Response



SHURE[®]

LEGENDARY
PERFORMANCE™

www.shure.com

© 2015 Shure Incorporated