



Aeon Series Product Brochure

Aeon Series is a fixed frame projection screen that uses Elite's EDGE FREE® technology. The EDGE FREE® design resembles a giant size flat panel TV display.



Actual projected image. Undoctored Image

 **AEON EDGE FREE® SCREEN**
ELITE SCREENS CINEGREY 3D AMBIENT LIGHT REJECTING MATERIAL



Member



Aeon Series



Aeon Series is a fixed frame projection screen that uses Elite's EDGE FREE® technology. The EDGE FREE® design resembles a giant size flat panel TV display.



Aeon Series

featuring CineGrey 3D material.
Shown with optional LED backlight kit.

Available Front projection Materials:

- CineWhite®: 180° viewing angle, 1.1 Gain – Matte White
- CineGrey: 160° viewing angle, Gain 1.0- High Contrast Gray
- CineGrey 3D®: 90 degree viewing angle, Gain 1.2 – ISF Certified Ambient Light Rejecting
- AcousticPro UHD: 180 degree viewing angle, Gain 1.0 – Sound Transparent
- Active 3D, 4K/8K Ultra HD and HDR Ready

Frame Options:

- Edge free or install ultra-thin trim
- Optional LED backlight kit with remote control

Design and Installation:

- Aluminum lightweight split-frame design
- Stretches over frame for a permanently tight-tensioned flat surface
- Easy to assemble and install in minutes
- Wall mount brackets slide ensuring the frame is properly centered
- Smaller footprint maximizes viewing area

Quality and Reliability:

- Standard 2-year parts and labor warranty
- 3-year warranty ENR-G (Educational, Non-profit, Religious or Government/Military) – US Only



ES Aeon EDGE FREE® Series
 featuring CineGrey 3D material



Aeon Series

| Model | Screen Diag. & Aspect Ratio | View Height - Chord (in) | View Width -Chord (in) | View Height (cm) | View Width (cm) | N.W. (lbs.) | G.W. (lbs.) | N.W. (kgs) | G.W. (Kgs) | Packaging Dimensions (LxHxW) | Gain | Screen Material |
|---------------|-----------------------------|--------------------------|------------------------|------------------|-----------------|-------------|-------------|------------|------------|------------------------------|------|-----------------|
| AR92WH2 | 92"(16:9) | 45.0 | 79.9 | 114.3 | 202.9 | 19.3 | 28.0 | 8.7 | 12.7 | 55.5"x6.7"x11.8" | 1.1 | CineWhite® |
| AR100WH2 | 100"(16:9) | 49.2 | 87.3 | 124.5 | 221.0 | 21.3 | 30.8 | 9.7 | 14.0 | 59.3"x6.7"x11.8" | 1.1 | CineWhite® |
| AR110WH2 | 110"(16:9) | 54.0 | 96.0 | 137.2 | 243.8 | 22.0 | 30.4 | 10.0 | 13.8 | 64.2"x6.7"x13.6" | 1.1 | CineWhite® |
| AR120WH2 | 120"(16:9) | 58.3 | 104.1 | 148.1 | 264.4 | 25.2 | 35.2 | 11.4 | 16.0 | 68.3"x6.7"x11.8" | 1.1 | CineWhite® |
| AR135WH2 | 135"(16:9) | 66.2 | 117.7 | 168.1 | 299.0 | 27.5 | 36.9 | 12.5 | 16.7 | 76"x6.5"x11.8" | 1.1 | CineWhite® |
| AR150WH2 | 150"(16:9) | 73.6 | 130.7 | 186.9 | 332.0 | 31.8 | 43.6 | 14.4 | 19.8 | 83.3"x6.7"x15.5" | 1.1 | CineWhite® |
| AR165WH2 | 165"(16:9) | 80.9 | 143.8 | 205.5 | 365.3 | 43.1 | 46.9 | 19.6 | 21.3 | 90.6"x6.5"x15.0" | 1.1 | CineWhite® |
| AR180WH2 | 180"(16:9) | 88.3 | 156.9 | 224.3 | 398.5 | 46.0 | 60.0 | 20.9 | 27.2 | 97.8"x6.5"x15.8" | 1.1 | CineWhite® |
| AR200WH2 | 200"(16:9) | 98.0 | 174.0 | 248.9 | 442.0 | 48.8 | 66.3 | 22.1 | 30.1 | 107.5"x6.7"x15.8" | 1.1 | CineWhite® |
| AR103WH2-WIDE | 103"(2.35:1) | 40.5 | 95.2 | 102.9 | 241.7 | 19.8 | 27.9 | 9.0 | 12.7 | 56.7"x6.7"x13.4" | 1.1 | CineWhite® |
| AR125WH2-WIDE | 125"(2.35:1) | 49.0 | 115.0 | 124.5 | 292.1 | 23.1 | 32.1 | 10.5 | 14.6 | 66.9"x6.7"x15.0" | 1.1 | CineWhite® |
| AR138WH2-WIDE | 138"(2.35:1) | 54.0 | 126.9 | 137.2 | 322.3 | 26.9 | 37.6 | 12.2 | 17.0 | 72.8"x6.7"x15.2" | 1.1 | CineWhite® |
| AR158WH2-WIDE | 158"(2.35:1) | 61.7 | 145.0 | 156.7 | 368.3 | 30.4 | 43.5 | 13.8 | 19.7 | 82.1"x6.7"x15.8" | 1.1 | CineWhite® |
| AR100H2 | 100"(16:9) | 49.2 | 87.3 | 124.5 | 221.0 | 20.8 | 30.9 | 9.4 | 14.0 | 59.3"x6.7"x11.8" | 1.0 | CineGrey |
| AR120H2 | 120"(16:9) | 58.3 | 104.1 | 148.1 | 264.4 | 25.2 | 34.5 | 11.4 | 15.6 | 68.3"x6.7"x12.8" | 1.0 | CineGrey |
| AR135H2 | 135"(16:9) | 66.2 | 117.7 | 168.1 | 299.0 | 29.5 | 40.3 | 13.4 | 18.3 | 75.8"x6.5"x13.4" | 1.0 | CineGrey |

Aeon Series Spring Type

| Model | Screen Diag. & Aspect Ratio | View Height - Chord (in) | View Width -Chord (in) | View Height (cm) | View Width (cm) | N.W. (lbs.) | G.W. (lbs.) | N.W. (kgs) | G.W. (Kgs) | Packaging Dimensions (LxHxW) | Gain | Screen Material |
|-----------|-----------------------------|--------------------------|------------------------|------------------|-----------------|-------------|-------------|------------|------------|------------------------------|------|-----------------|
| AR100WH2 | 100"(16:9) | 49.2 | 87.3 | 124.5 | 221.0 | 21.3 | 30.8 | 9.7 | 14.0 | 59.3"x6.7"x11.8" | 1.1 | CineWhite® |
| AR120WH2 | 120"(16:9) | 58.3 | 104.1 | 148.1 | 264.4 | 25.2 | 35.2 | 11.4 | 16.0 | 68.3"x6.7"x11.8" | 1.1 | CineWhite® |
| AR135WH2 | 135"(16:9) | 66.2 | 117.7 | 168.1 | 299.0 | 27.5 | 36.9 | 12.5 | 16.7 | 76"x6.5"x11.8" | 1.1 | CineWhite® |
| AR92DHD3 | 92"(16:9) | 45.0 | 79.9 | 114.3 | 202.9 | 18.3 | 27.8 | 8.3 | 12.6 | 55.5"x6.7"x11.8" | 1.2 | CineGrey 3D® |
| AR100DHD3 | 100"(16:9) | 49.2 | 87.3 | 124.5 | 221.0 | 19.8 | 29.5 | 8.9 | 13.4 | 59.3"x6.7"x11.8" | 1.2 | CineGrey 3D® |
| AR110DHD3 | 110"(16:9) | 54.0 | 96.0 | 137.2 | 243.8 | 22.1 | 30.5 | 10.0 | 13.9 | 64.2"x6.7"x13.6" | 1.2 | CineGrey 3D® |
| AR120DHD3 | 120"(16:9) | 58.3 | 104.1 | 148.1 | 264.4 | 23.6 | 32.8 | 10.7 | 14.9 | 68.3"x6.7"x13.8" | 1.2 | CineGrey 3D® |
| AR135DHD3 | 135"(16:9) | 66.2 | 117.7 | 168.1 | 299.0 | 28.1 | 38.6 | 12.7 | 17.5 | 75.8"x6.7"x15.2" | 1.2 | CineGrey 3D® |
| AR150DHD3 | 150"(16:9) | 73.6 | 130.7 | 186.9 | 332.0 | 31.3 | 42.8 | 14.2 | 19.4 | 83.3"x6.7"x15.2" | 1.2 | CineGrey 3D® |

Aeon Dimensions Table

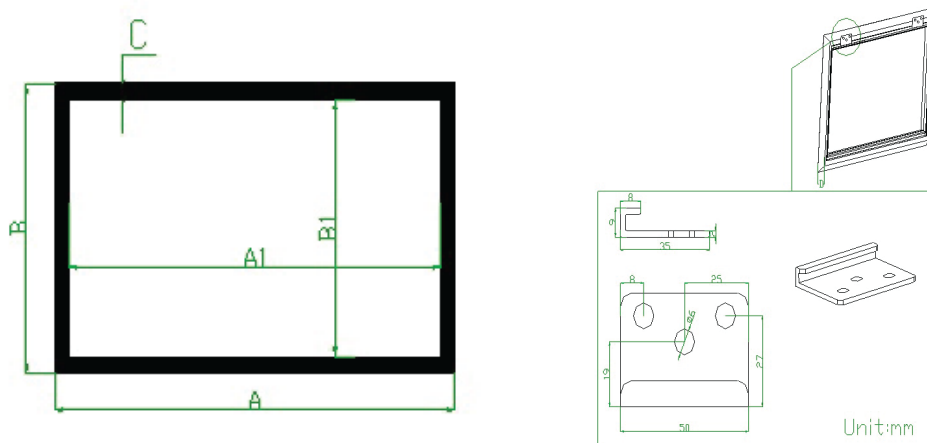
| Model Number | Nominal Diagonal | Overall Frame Length (A) | View Width (A1) | Overall Frame Height (B) | View Height (B1) | Frame Width (C) | Frame Depth (D) |
|---------------|------------------|--------------------------|-----------------|--------------------------|------------------|-----------------|-----------------|
| AR92WH2 | 92"(16:9) | 2062 | 2038 | 1170 | 1146 | 12 | 25 |
| AR100WH2 | 100"(16:9) | 2238 | 2218 | 1269 | 1249 | 12 | 25 |
| AR110WH2 | 110"(16:9) | 2460 | 2436 | 1394 | 1370 | 12 | 25 |
| AR120WH2 | 120"(16:9) | 2664 | 2644 | 1501 | 1481 | 12 | 25 |
| AR135WH2 | 135"(16:9) | 3014 | 2994 | 1704 | 1684 | 12 | 25 |
| AR150WH2 | 150"(16:9) | 3346 | 3326 | 1891 | 1817 | 12 | 25 |
| AR165WH2 | 165"(16:9) | 3678 | 3653 | 2080 | 2055 | 12 | 25 |
| AR180WH2 | 180"(16:9) | 4006 | 3986 | 2260 | 2240 | 12 | 25 |
| AR200WH2 | 200"(16:9) | 4450 | 4430 | 2510 | 2490 | 12 | 25 |
| AR100H2 | 100"(16:9) | 2238 | 2218 | 1269 | 1249 | 12 | 25 |
| AR120H2 | 120"(16:9) | 2664 | 2644 | 1501 | 1481 | 12 | 25 |
| AR135H2 | 135"(16:9) | 3014 | 2994 | 1704 | 1684 | 12 | 25 |
| AR92DHD3 | 92"(16:9) | 2062 | 2038 | 1170 | 1146 | 12 | 25 |
| AR100DHD3 | 100"(16:9) | 2238 | 2218 | 1269 | 1249 | 12 | 25 |
| AR110DHD3 | 110"(16:9) | 2460 | 2436 | 1394 | 1370 | 12 | 25 |
| AR120DHD3 | 120"(16:9) | 2664 | 2644 | 1501 | 1481 | 12 | 25 |
| AR135DHD3 | 135"(16:9) | 3014 | 2994 | 1704 | 1684 | 12 | 25 |
| AR150DHD3 | 150"(16:9) | 3346 | 3326 | 1891 | 1817 | 12 | 25 |
| AR103WH2-WIDE | 103"(2.35:1) | 2431 | 2407 | 1048 | 1024 | 12 | 25 |
| AR125WH2-WIDE | 125"(2.35:1) | 2944 | 2921 | 1270 | 1245 | 12 | 25 |
| AR138WH2-WIDE | 138"(2.35:1) | 3249 | 3225 | 1394 | 1370 | 12 | 25 |
| AR158WH2-WIDE | 158"(2.35:1) | 3717 | 3693 | 1595 | 1571 | 12 | 25 |

Unit: mm

| Model Number | Nominal Diagonal | Overall Frame Length (A) | View Width (A1) | Overall Frame Height (B) | View Height (B1) | Frame Width (C) | Frame Depth (D) |
|---------------|------------------|--------------------------|-----------------|--------------------------|------------------|-----------------|-----------------|
| AR92WH2 | 92"(16:9) | 81.2 | 80.2 | 46.1 | 45.1 | 0.5 | 1.0 |
| AR100WH2 | 100"(16:9) | 88.1 | 87.3 | 50.0 | 49.2 | 0.4 | 1.0 |
| AR110WH2 | 110"(16:9) | 96.9 | 95.9 | 54.9 | 53.9 | 0.5 | 1.0 |
| AR120WH2 | 120"(16:9) | 104.9 | 104.1 | 59.1 | 58.3 | 0.4 | 1.0 |
| AR135WH2 | 135"(16:9) | 118.7 | 117.9 | 67.1 | 66.3 | 0.4 | 1.0 |
| AR150WH2 | 150"(16:9) | 131.7 | 130.9 | 74.4 | 71.5 | 0.4 | 1.0 |
| AR165WH2 | 165"(16:9) | 144.8 | 143.8 | 81.9 | 80.9 | 0.4 | 1.0 |
| AR180WH2 | 180"(16:9) | 157.7 | 156.9 | 89.0 | 88.2 | 0.4 | 1.0 |
| AR200WH2 | 200"(16:9) | 175.2 | 174.4 | 98.8 | 98.0 | 0.4 | 1.0 |
| AR100H2 | 100"(16:9) | 88.1 | 87.3 | 50.0 | 49.2 | 0.4 | 1.0 |
| AR120H2 | 120"(16:9) | 104.9 | 104.1 | 59.1 | 58.3 | 0.4 | 1.0 |
| AR135H2 | 135"(16:9) | 118.7 | 117.9 | 67.1 | 66.3 | 0.4 | 1.0 |
| AR92DHD3 | 92"(16:9) | 81.2 | 80.2 | 46.1 | 45.1 | 0.5 | 1.0 |
| AR100DHD3 | 100"(16:9) | 88.1 | 87.3 | 50.0 | 49.2 | 0.4 | 1.0 |
| AR110DHD3 | 110"(16:9) | 96.9 | 95.9 | 54.9 | 53.9 | 0.5 | 1.0 |
| AR120DHD3 | 120"(16:9) | 104.9 | 104.1 | 59.1 | 58.3 | 0.4 | 1.0 |
| AR135DHD3 | 135"(16:9) | 118.7 | 117.9 | 67.1 | 66.3 | 0.4 | 1.0 |
| AR150DHD3 | 150"(16:9) | 131.7 | 130.9 | 74.4 | 71.5 | 0.4 | 1.0 |
| AR103WH2-WIDE | 103"(2.35:1) | 95.7 | 94.8 | 41.3 | 40.3 | 0.5 | 1.0 |
| AR125WH2-WIDE | 125"(2.35:1) | 115.9 | 115.0 | 50.0 | 49.0 | 0.5 | 1.0 |
| AR138WH2-WIDE | 138"(2.35:1) | 127.9 | 127.0 | 54.9 | 53.9 | 0.5 | 1.0 |
| AR158WH2-WIDE | 158"(2.35:1) | 146.3 | 145.4 | 62.8 | 61.9 | 0.5 | 1.0 |

Unit: inch

The listed measurements are for general reference only. Please contact Elite Screens to verify product design and dimensions before attempting to integrate its products with any structural or furniture modification. Although a manufacturer may offer product advice, it may be taken or disregarded at the integrator's discretion. Elite Screens will not be held responsible or be otherwise liable for faulty installations.



Aeon Dimensions Table (Spring Type)

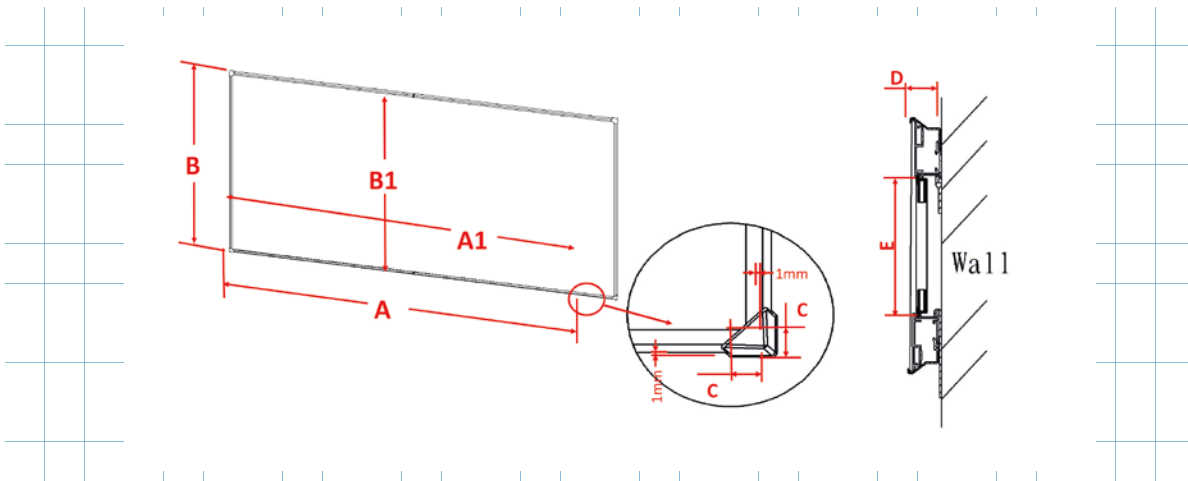
| Model Number | Nominal Diagonal | Overall Frame Length (A) | View Width (A1) | Overall Frame Height (B) | View Height (B1) | Frame Width (C) | Frame Thickness (D) | Center Support Bar Length (E) |
|--------------|------------------|--------------------------|-----------------|--------------------------|------------------|-----------------|---------------------|-------------------------------|
| AR92DHD3 | 92"(16:9) | 2063 | 2037 | 1171 | 1146 | 5 | 33 | N/A |
| AR100DHD3 | 100"(16:9) | 2225 | 2215 | 1257 | 1245 | 5 | 33 | 1135 |
| AR110DHD3 | 110"(16:9) | 2446 | 2436 | 1382 | 1369 | 5 | 33 | 1260 |
| AR120DHD3 | 120"(16:9) | 2667 | 2657 | 1506 | 1494 | 5 | 33 | 1384 |
| AR135DHD3 | 135"(16:9) | 3000 | 2987 | 1694 | 1682 | 5 | 33 | 1572 |
| AR150DHD3 | 150"(16:9) | 3333 | 3320 | 1880 | 1867 | 5 | 33 | 1758 |

Unit: mm

| Model Number | Nominal Diagonal | Overall Frame Length (A) | View Width (A1) | Overall Frame Height (B) | View Height (B1) | Frame Width (C) | Frame Thickness (D) | Center Support Bar Length (E) |
|--------------|------------------|--------------------------|-----------------|--------------------------|------------------|-----------------|---------------------|-------------------------------|
| AR92DHD3 | 92"(16:9) | 81.2 | 80.2 | 46.1 | 45.1 | 0.2 | 1.3 | N/A |
| AR100DHD3 | 100"(16:9) | 87.6 | 87.2 | 49.5 | 49.0 | 0.2 | 1.3 | 44.7 |
| AR110DHD3 | 110"(16:9) | 96.3 | 95.9 | 54.4 | 53.9 | 0.2 | 1.3 | 49.6 |
| AR120DHD3 | 120"(16:9) | 105.0 | 104.6 | 59.3 | 58.8 | 0.2 | 1.3 | 54.5 |
| AR135DHD3 | 135"(16:9) | 118.1 | 117.6 | 66.7 | 66.2 | 0.2 | 1.3 | 61.9 |
| AR150DHD3 | 150"(16:9) | 131.2 | 130.7 | 74.0 | 73.5 | 0.2 | 1.3 | 69.2 |

Unit: inch

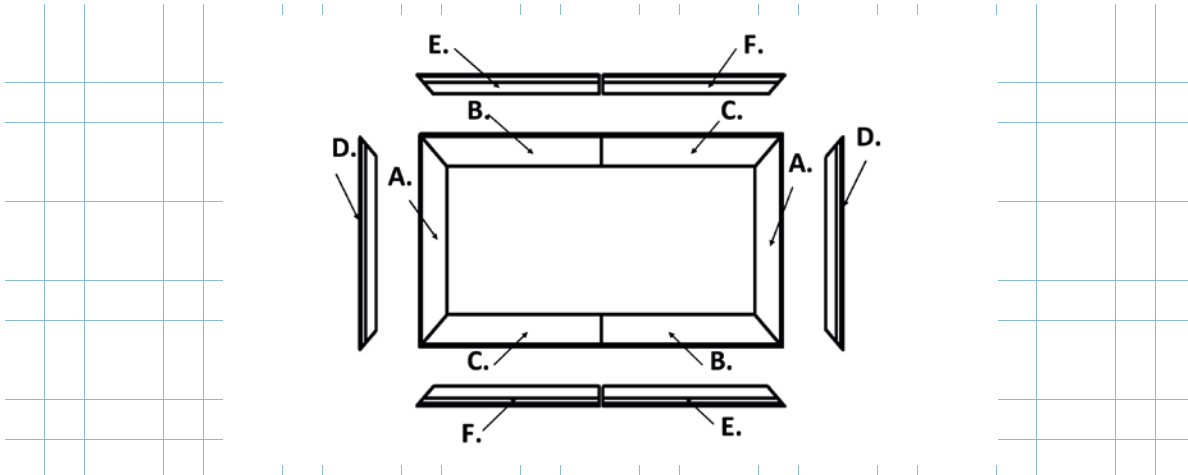
The listed measurements are for general reference only. Please contact Elite Screens to verify product design and dimensions before attempting to integrate its products with any structural or furniture modification. Although a manufacturer may offer product advice, it may be taken or disregarded at the integrator's discretion. Elite Screens will not be held responsible or be otherwise liable for faulty installations.



Aeon Frame Dimensions Table (Spring Type)

| Model Number | Nominal Diagonal | Part A (inch) | Part B and C (inch) | Part D (inch) | Part E and F (inch) | Part A (mm) | Part B and C (mm) | Part D (mm) | Part E and F (mm) |
|--------------|------------------|---------------|---------------------|---------------|---------------------|-------------|-------------------|-------------|-------------------|
| AR100DHD3 | 100"(16:9) | 49.3±0.02 | 43.7±0.02 | 49.4±0.02 | 43.8±0.02 | 1253±0.5 | 1111±0.5 | 1255±0.5 | 1112±0.5 |
| AR110DHD3 | 110"(16:9) | 54.3±0.02 | 48.1±0.02 | 54.3±0.02 | 48.1±0.02 | 1378±0.5 | 1221±0.5 | 1380±0.5 | 1222±0.5 |
| AR120DHD3 | 120"(16:9) | 59.1±0.02 | 52.4±0.02 | 59.2±0.02 | 52.5±0.02 | 1502±0.5 | 1332±0.5 | 1504±0.5 | 1333±0.5 |
| AR135DHD3 | 135"(16:9) | 66.5±0.02 | 59±0.02 | 66.6±0.02 | 59.0±0.02 | 1689±0.5 | 1498±0.5 | 1691±0.5 | 1499±0.5 |
| AR150DHD3 | 150"(16:9) | 73.9±0.02 | 65.4±0.02 | 73.9±0.02 | 65.5±0.02 | 1876±0.5 | 1662±0.5 | 1878±0.5 | 1663±0.5 |

The listed measurements are for general reference only. Please contact Elite Screens to verify product design and dimensions before attempting to integrate its products with any structural or furniture modification. Although a manufacturer may offer product advice, it may be taken or disregarded at the integrator's discretion. Elite Screens will not be held responsible or be otherwise liable for faulty installations.



Aeon Dimensions Table (Spring Type) CineWhite®

| Model Number | Nominal Diagonal | Overall Frame Length (A) | View Width (A1) | Overall Frame Height (B) | View Height (B1) | Frame Width (C) |
|--------------|------------------|--------------------------|-----------------|--------------------------|------------------|-----------------|
| AR100WH2 | 100"(16:9) | 2240 | 2215 | 1270 | 1245 | 15 |
| AR120WH2 | 120"(16:9) | 2680 | 2649 | 1519 | 1491 | 15 |
| AR135WH2 | 135"(16:9) | 3020 | 2990 | 1890 | 1679 | 15 |

Unit: mm

| Model Number | Nominal Diagonal | Overall Frame Length (A) | View Width (A1) | Overall Frame Height (B) | View Height (B1) | Frame Width (C) |
|--------------|------------------|--------------------------|-----------------|--------------------------|------------------|-----------------|
| AR100WH2 | 100"(16:9) | 88.2 | 87.2 | 50.0 | 49.0 | 0.6 |
| AR120WH2 | 120"(16:9) | 105.5 | 104.3 | 59.8 | 58.7 | 0.6 |
| AR135WH2 | 135"(16:9) | 118.9 | 117.7 | 74.4 | 66.1 | 0.6 |

Unit: inch

The listed measurements are for general reference only. Please contact Elite Screens to verify product design and dimensions before attempting to integrate its products with any structural or furniture modification. Although a manufacturer may offer product advice, it may be taken or disregarded at the integrator's discretion. Elite Screens will not be held responsible or be otherwise liable for faulty installations.

